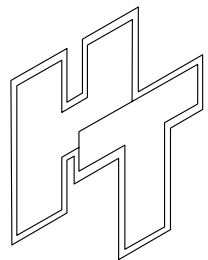
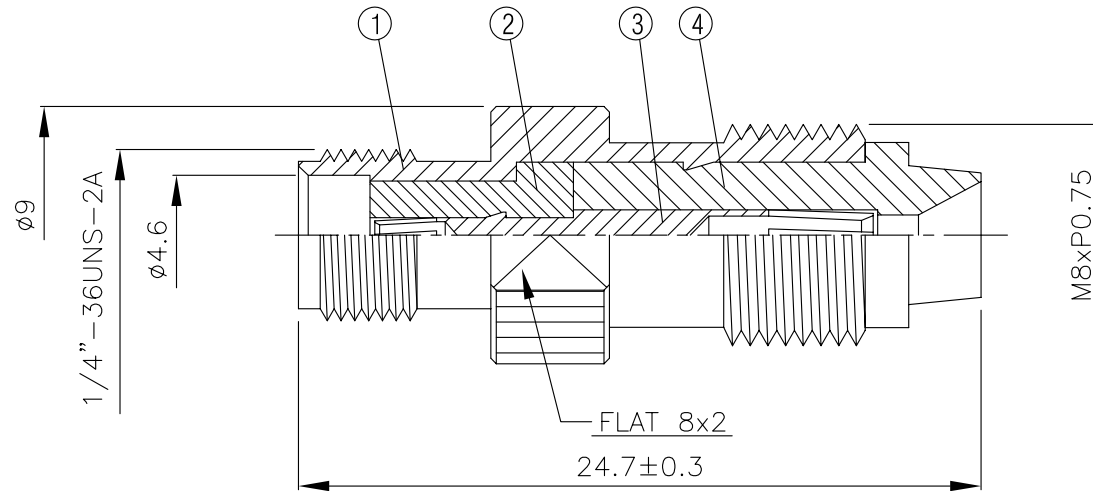
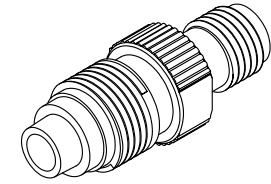


NO	DESCRIPTION	MATERIAL	Q'TY	FINISH	REMARK
1	BODY	BRASS	1	NICKEL	B-FME0590-N
2	INSULATION 1	TEFLON	1	TEFLON	I-0046T
3	PIN	PH.BRONZE	1	GOLD	P-FME0384-G
4	INSULATION 2	DELRIN	1	DELRIN	I-0246D



HUS-TSAN GROUP CO., LTD.

P.O.BOX 40-76.TAINAN.TAIWAN,R.O.C.

TITLE SMA FEMALE -FME FEMALE ADAPTOR

PART NO. FME-24-TGN

DRAWING NO. FME 24 TGN

DRAWN MARY DATE 96.07.07

CHECKED 蘇志欣 DATE 97.05.08

Q.A. 蘇姿潔 DATE

APPROVAL 徐燦霖 DATE

REVISION DATE

DIMENSIONS ARE IN MILLIMETERS

UNLESS OTHERWISE SPECIFIED TOLERANCE

0.5-5= ± 0.2 120-315= ± 1

5-30= ± 0.4 315-1000= ± 1.6

30-120= ± 0.6 1000-2000= ± 2.4

SCALE 4:1 SIZE A

REVISION

DESCRIPTION	ENGINEER

D

D

C

C

B

B

A

A

4

3

2

1