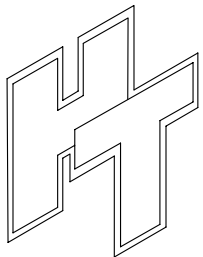
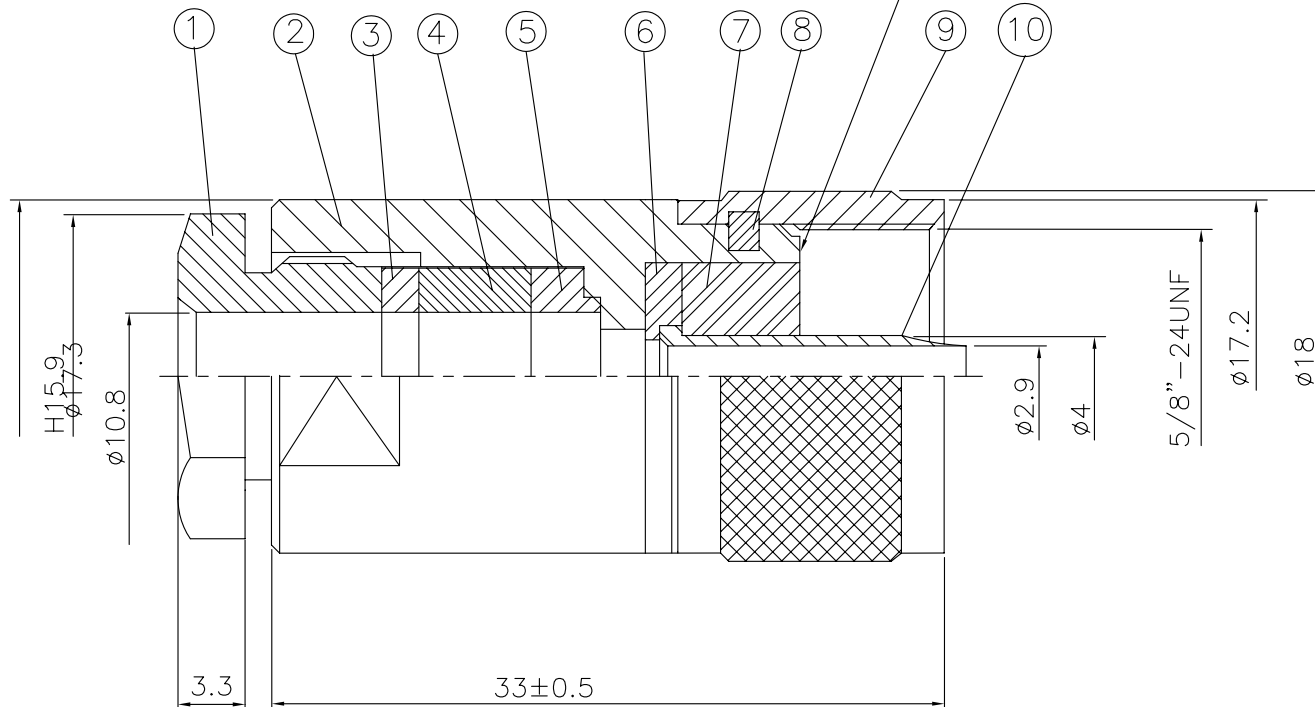
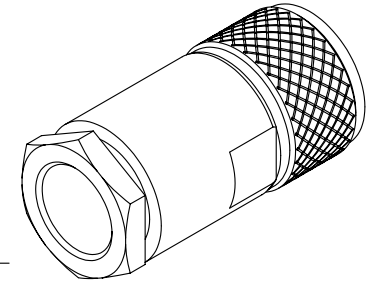


NO	DESCRIPTION	MATERIAL	Q'TY	FINISH
1	NUT	BRASS	1	NICKEL
2	BODY	BRASS	1	NICKEL
3	WASHER	BRASS	1	NICKEL
4	GASKET	SI RUBBER	1	RUBBER
5	SLEEVE	BRASS	1	NICKEL
6	INSULATION	DELRIN	1	DELRIN
7	INSULATION	DELRIN	1	DELRIN
8	WASHER	BRASS	1	NICKEL
9	SHELL	BRASS	1	NICKEL
10	PIN	BRASS	1	GOLD



HUS-TSAN GROUP CO., LTD.
P.O. BOX 40-76, TAINAN, TAIWAN, R.O.C.

TITLE **UHF MALE CLAMP
FOR RG-213/U**

PART NO. **UHF-01B-DGN**

DRAWING NO. **UHF-01B-DGN**

DRAWN MARY DATE 96.02.01

CHECKED **黃巧君** DATE

Q.A. **蘇姿潔** DATE

APPROVAL **徐燦霖** DATE

REVISION DATE

DIMENSIONS ARE IN MILLIMETERS

UNLESS OTHERWISE SPECIFIED
TOLERANCE

0.5-5=±0.2 120-315=±1

5-30=±0.4 315-1000=±1.6

30-120=±0.6 1000-2000=±2.4

SCALE 4:1 SIZE A

REVISION

DESCRIPTION	ENGINEER

A