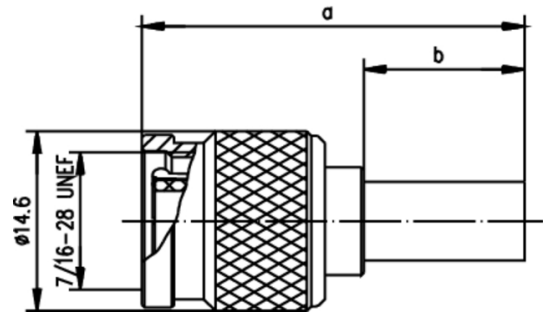


order number: J01010F2255

TNC Straight Plug Crimp G1 (RG-58C/U); YR 23092 Belden crimp/crimp;  
Standard



Technical Attributes	
Z	50 Ω
Cable group; cable	G1 (RG-58C/U); YR 23092 Belden HPF 195 WCX195 RG-58C/U 9907 7806A LMR-195 KX 15 CNT-195 YR23092
Remarks	crimp/crimp; Standard
Dimensions	a=31, b=13
Assembly	A0205
Crimp die	N01003A0005
Mount. dim.	

### Product description

The TNC series is a commonly used coax connector. The same size as BNC connectors, but with a threaded coupling mechanism, this connector can be used up to 11 GHz. Both 50 Ω and 75 Ω impedances are available. Connector styles are available for flexible, conformable and semi-rigid cable types. Versions of the TNC connector are available for mounting to printed circuit boards using both through-hole soldered and through-hole press-fit techniques. Both crimp and clamp cable termination processes are used for this series. Applications for these connectors range from signal and data to video transmission where vibration resistance

is required. TNC's are a low-cost high-frequency solution for coax connections.

Mating face sealing for TNC connectors between plug and jack (mated) according to IP 68. The classifications are general statements for the relevant series. Individual connectors may deviate from the values shown. If in doubt, please consult our engineers.

Mechanical Characteristics	
Recommended coupling torque	0.46 - 0.69 Nm
Durability (mating cycles)	≥ 500
Material: spring contacts	CuBe2; CuNi1Pb1(C97)
Material: outer conductor	CuZn39Pb3
Material: other metal parts	CuZn39Pb3
Material: insulators	PTFE/PE
Material: gaskets	Silicone Silicone
Finish: Inner conductor	Cu1Ni2Au0.8
Finish: Outer conductor	Cu2Ni5
Finish: Other metal parts	Cu2Ni5
Mating cycles (gold plating inner conductor)	1000 (0.8 µm)
Material: Coupling nut	brass
Material: inner conductor	brass
Material: crimp ferrule	copper
Material: insulators	PE-LD
Finish: Coupling nut	Nickel
Finish: Crimp ferrule	Nickel

Climatic Characteristics	
Climatic category acc. to IEC 60068 - 1	
Types with PTFE insulator	40/155/21
Types with PE insulator	40/75/21
Temperature range [°C]	-40/75

Electrical Characteristics	
Contact resistance inner conductor	≤ 10 mΩ

Contact resistance outer conductor	$\leq 2.5 \text{ m}\Omega$
Insulation resistance	$\geq 5 \text{ G}\Omega$
Voltage proof	1.5 kV <sub>eff</sub> /50 Hz
Impedance	50 $\Omega$ /(75 $\Omega$ )
Return loss: Straight style (valid for 50 $\Omega$ only)	$\geq 16.5 \text{ dB}/11 \text{ GHz}$
Return loss: Angle style (valid for 50 $\Omega$ only)	
Working voltage	$\leq 500 \text{ V}_{\text{eff}}/50 \text{ Hz}$
Frequency range up to	11 GHz
Contact resistance inner conductor (initial)	$\leq 0.9 \text{ m}\Omega$
Contact resistance outer conductor	$\leq 0.2 \text{ m}\Omega$
Frequency range (50 $\Omega$ Types)	11 GHz
VSWR (50 $\Omega$ Types)	$\leq 1.25/1 \text{ GHz}$

Standards	
IEC 60 169-17	

### Note

Combination connectors and cable clamps can be utilised to create a further number of TNC connector variations.