

MATERIAL & FINISH:

- 1 BODY: BRASS, SEE TABLE
- 2 CENTER CONTACT: PHOSPHOR BRONZE, SEE TABLE
- 3 INSULATOR: PTFE

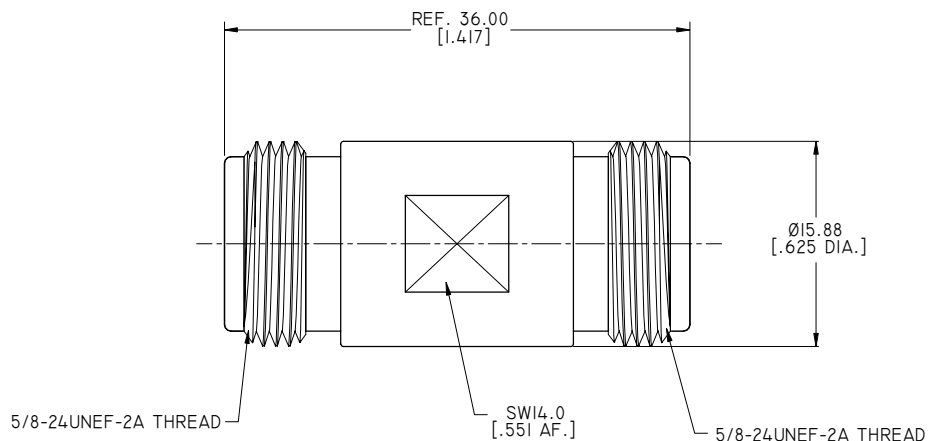
ENVIRONMENTAL DATA:

- 1 TEMPERATURE RANGE: -55°C ~ +125°C
- 2 2011/65/EU(RoHS) AND 2015/863/(RoHS): COMPLIANT
- 3 1907/2006/EC(REACH): COMPLIANT

ELECTRICAL DATA:

- 1 IMPEDANCE: 50 Ω
- 2 FREQUENCY RANGE: DC~18 GHZ
- 3 VSWR: 1.15 MAX. AT DC~6 GHZ
1.25 MAX. AT 6~18 GHZ
- 4 PIM3: SEE TABLE

REVISIONS			
REV.	DESCRIPTION	DATE	APPROVED
A	INITIAL RELEASE	08/27/15	J. QU
B	1. FINISH CHANGED 2. PART NO. ANO 512-512-I320-I ADDED 3. FREQUENCY RANGE AND VSWR CHANGED	07/24/18	J. QU
C	ANO 512-51-I320-I PIM3 CHANGED TO <-165 DBC	12/15/20	J. QU



TABLE

PART NO.	PART	FINISH	PIM3 (2X43 DBM) AT 0.4~3 GHZ
ANO 512-512-I320	BODY	NICKEL	_____
	CENTER CONTACT	GOLD	
ANO 512-51-I320-I	BODY	ALBALOY	< -165 DBC
	CENTER CONTACT	SILVER	

DRAWN X. B. YANG	DATE 12/15/20	
CHECKED W. YANG	DATE 12/15/20	
APPROVED J. QU	DATE 12/15/20	
<small>UNLESS OTHERWISE SPECIFIED DIMENSIONS ARE IN MILLIMETERS, DIMENSIONS IN [] ARE IN INCHES FOR CUSTOMER REFERENCE ONLY UNLESS OTHERWISE SPECIFIED TOLERANCE ARE:</small> .XX ±0.13 [.005"] .X ±0.20 [.008"] X ±0.50 [.019"] .X° ±1° X° ±2°		<small>THESE DRAWINGS AND SPECIFICATIONS ARE THE PROPERTY OF ANOISON ELECTRONICS LTD AND SHOULD NOT BE USED WITHOUT WRITTEN PERMISSION COPYRIGHT © 2020 ANOISON ELECTRONICS LTD</small>
VIEW 		TITLE ADAPTER, N FEMALE TO N FEMALE PART NO. ANO 512-512-I320
SIZE A3	SCALE 2.5:1	SHEET 1/1 REV. C