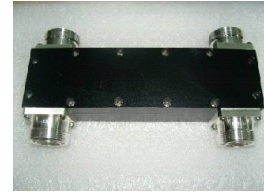


3dB Directional Hybrid Coupler

The CDS3*-698/2700 hybrid couplers are four-port directional couplers which equally combine two wireless signals and transfer the combined signal to two output ports. The products are designed for wireless services and applications in the frequency band from 698-2700MHz including 2G / 3G / 4G.

FEATURES / BENEFITS

- ➔ 200 Watt Average Power Rating
- ➔ High Reliability
- ➔ 7-16 DIN female connectors



CDS3DE-698/2700

Technical Features

GENERAL SPECIFICATIONS

Product Type		Directional Hybrid Coupler
Techn. Application		Indoor / Outdoor
Number of Input Ports		2
Number of Output Ports		2
Connector Type		7-16 female

ELECTRICAL SPECIFICATIONS

Frequency Range	MHz	698 - 2700
Impedance	Ohm	50
VSWR / Return Loss	VSWR/dB	1.20/20.8
Intermodulation (IM3)		-150 dBc with 2x43 dBm tones
Isolation min	dB	25
Coupling Value	dB	3.1 ±0.4 @698 - 2700 MHz
Total Input Power	W	200

TEMPERATURE SPECIFICATIONS

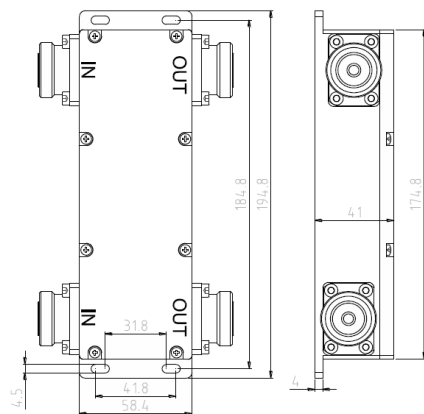
Temperature Range	°C (°F)	-25 to 65 (-13 to 149)
-------------------	---------	------------------------

MECHANICAL SPECIFICATIONS

Height	mm (in)	41 (1.61)
Width	mm (in)	58.4 (2.3)
Length	mm (in)	194.8 (7.67)
Weight	kg (lb)	1.14 (2.51)

TESTING AND ENVIRONMENTAL

Environmental Class		IP65
---------------------	--	------



Dimensions in mm



3dB Directional Hybrid Coupler

External Document Links

Notes