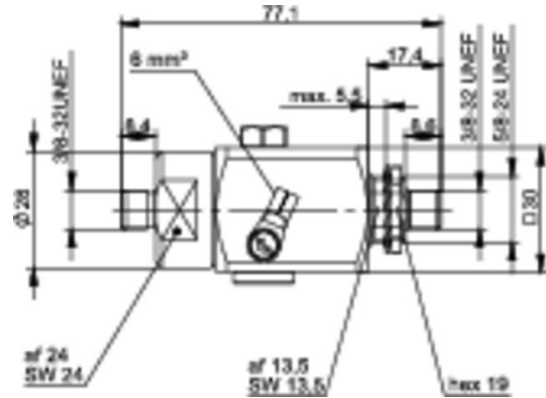


order number: J01608A0000

F surge suppressor 230 V; f-f with discharge arrester, bulkhead type



Technical Attributes	
Technical Information	230 V; 2.5 GHz; IP67
Remarks	f-f with gas discharge arrester, bulkhead type
Mount. dim.	Z10