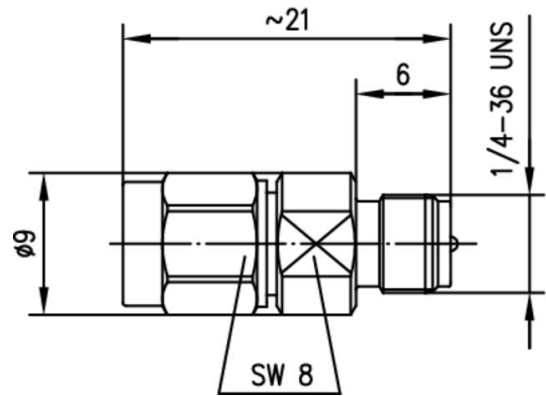


order number: J01155R0085

R-SMA to SMA, m Reverse-f



Technical Attributes	
Type	SMA (m)/ SMA (f) reverse
Max. Frequency	6 GHz
Return Loss	15 dB/6 GHz
Life	min. 500