

4

3

2

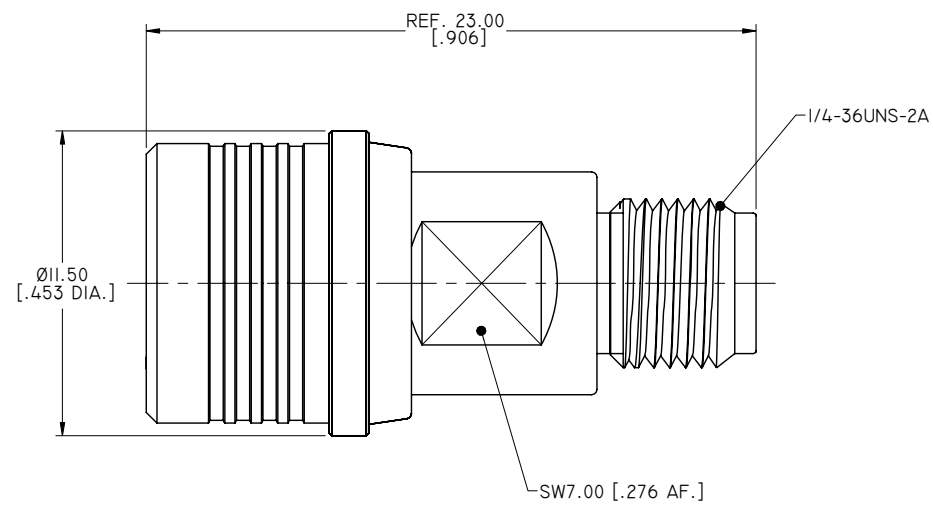
1

REVISIONS			
REV.	DESCRIPTION	DATE	APPROVED
C	MATING LIFE CHANGED	12/20/13	J. QU
D	ADDED MAX. 1.30 @ 6-18GHZ	01/30/16	J. QU

1.0 MATERIAL & FINISH:
 1.1 BODY: BRASS, ALBALOY PLATED
 1.2 CENTER CONTACT: BERYLLIUM COPPER ALLOY, GOLD PLATED
 1.3 INSULATOR: PTFE & PEI
 1.4 UNLOCK SLEEVE: BRASS, NICKEL PLATED

2.0 ENVIRONMENTAL DATA:
 2.1 TEMPERATURE RANGE: -55°C~+125°C
 2.2 2011/65/EU (RoHS): COMPLIANT
 2.3 MATING LIFE CHANGED: 500 CYCLES MIN.

3.0 ELECTRICAL SPECIFICATIONS:
 3.1 IMPEDANCE: 50 Ω
 3.2 FREQUENCY RANGE: DC~18GHZ
 3.3 VSWR: 1.18 MAX. AT DC~6GHZ
 1.30 MAX. 6~18GHZ



DRAWN	L. YANG	DATE	01/30/16
CHECKED	X. B. YANG	DATE	01/30/16
APPROVED	J. QU	DATE	01/30/16
UNLESS OTHERWISE SPECIFIED DIMENSIONS ARE IN MILLIMETERS, DIMENSIONS IN [] ARE IN INCHES FOR CUSTOMER REFERENCE ONLY UNLESS OTHERWISE SPECIFIED TOLERANCE ARE:		THESE DRAWINGS AND SPECIFICATIONS ARE THE PROPERTY OF ANOISON ELECTRONICS LTD AND SHOULD NOT BE USED WITHOUT WRITTEN PERMISSION COPYRIGHT © 2016 ANOISON ELECTRONICS LTD	
.XX	±0.13 [.005"]		
.X	±0.20 [.008"]		
X	±0.50 [.019"]		
.X°	±1°		
X°	±2°		



TITLE			
ADAPTER, QMA MALE TO SMA FEMALE			
VIEW		PART NO.	
		ANO 261-212-1031	
SIZE	SCALE	SHEET	REV.
A3	5:1	1/1	D

4

3

2

1