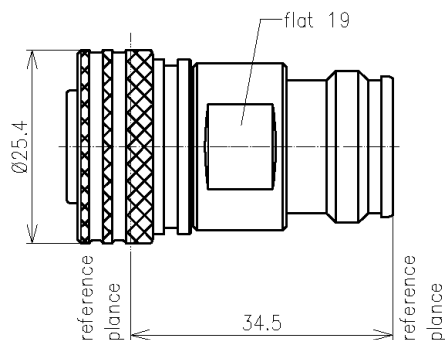


Adapter Plug-Socket, Type 4.3-10 | BN 432034



all dimensions in millimeter

Interface type	4.3-10 plug push-pull (50 Ω) per IEC 61169-54 4.3-10 socket (50 Ω) per IEC 61169-54
Frequency range	DC to 6 GHz
VSWR, max.	1.02 @ DC to 2 GHz 1.04 @ 2 to 3 GHz 1.08 @ 3 to 6 GHz
Intermodulation (IM3) @ 2x 20W, max.	-166 dBc
Inner conductor material / surface finish	copper alloy / silver plated
Outer conductor material / surface finish	copper alloy / silver plated copper alloy / CuSnZn plated
Other metal parts / surface finish	copper alloy / nickel plated
Insulation	PTFE
Sealing	silicone rubber
IP protection level	4.3-10 plug: IP68 per EN 60529 (barrier and mating face sealed) 4.3-10 socket: IP68 per EN 60529 (interface connected with appropriate gasket)
Weight, approx.	80 g

SPINNER GmbH
 This document is proprietary to us.
 All rights reserved. Any use, transfer, or reproduction of this document
 or the know-how contained therein requires our express consent.