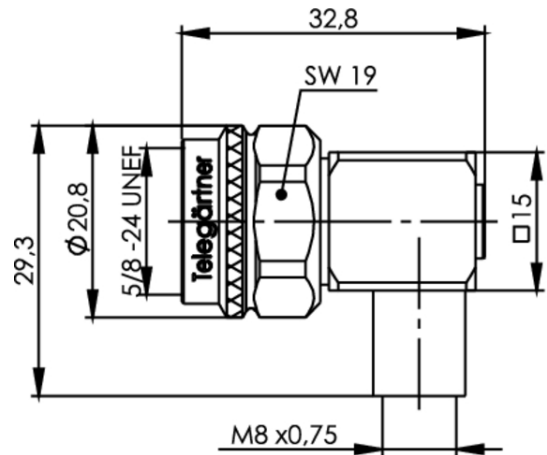


order number: J01027C0020

Angle Adaptor N to FME m-m



Technical Attributes	
Type	N (m)/FME (m)
Max. Frequency	2 GHz
Return Loss	25 dB/1.8 GHz
Life	min. 500
Z	Ω
Series	
Finish	
Mount. dim.	