



LB-225-NF Broadband Horn Antenna 0.2-2.5GHz 12dB Gain N Type Female

Broadband Horn Antenna Operating From 0.2GHz to 2.5GHz With a Nominal 12dB Gain With N Type Female Connector

Product Information

| | |
|-----|-----------|
| SKU | LB-225-NF |
|-----|-----------|

Description

Broadband horn antenna LB-225-NF, operating from 0.2 to 2.5GHz with a nominal 12dB gain and low VSWR 2.0:1 with N Type Female output connector. The model LB-225-NF has uniform gain through its frequency span, providing efficient performance characteristics and directionality. It can handle 800W continuously and 1600W peak power. Constructed of lightweight corrosion-resistant aluminum, the antenna will provide years of trouble-free indoor and outdoor service. This broadband horn antenna is linearly polarized and ideally suited for EMI testing, direction finding, surveillance, antenna gain and pattern measurements and other applications.

Technical Specification

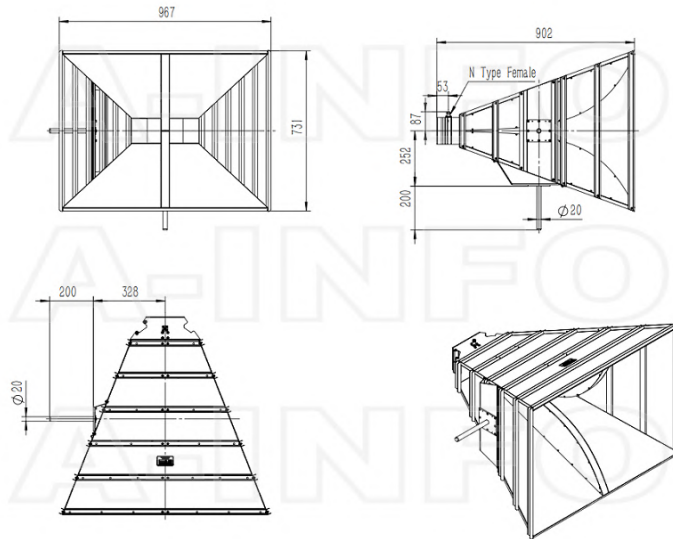
| Electrical Specification | | Interface | |
|------------------------------------|--------|--------------------------|-----------------------------|
| Frequency, Min (GHz) | 0.2 | Output Type | Coaxial |
| Frequency, Max (GHz) | 2.5 | Connector | N Type |
| Gain, Typ (dBi) | 12 | Connector Gender | Female |
| Polarization | Linear | Mechanical Specification | |
| 3dB Beamwidth, E-Plane, Min (Deg.) | 33 | Body Material | Al |
| 3dB Beamwidth, E-Plane, Max (Deg.) | 104 | Finish | Chemical Conversion Coating |
| 3dB Beamwidth, H-Plane, Min (Deg.) | 22 | Size, W (mm) | 967 |
| 3dB Beamwidth, H-Plane, Max (Deg.) | 85 | Size, H (mm) | 731 |
| Cross Pol. Isolation, Typ (dB) | 25 | Size, L (mm) | 902 |
| VSWR, Typ | 2.0:1 | Weight, (kg) | 14.14 |
| Impedance, (Ohm) | 50 | | |
| Power Handling, CW, (W) | 800 | | |
| Power Handling, Peak, (W) | 1600 | | |

Additional Information

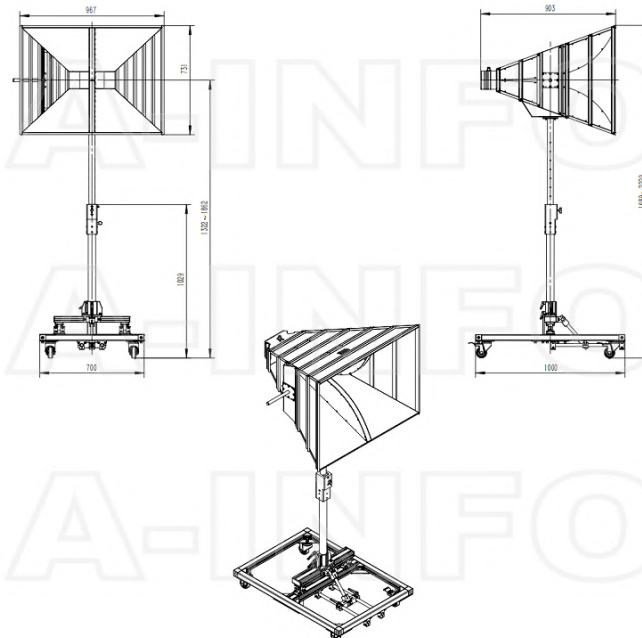
| | | | |
|-------------|---|--------------|---|
| Application | General Purpose Indoor & Outdoor, Fixed | Solution for | Gain Reference Antenna Measurement Reflector Feed Far-field Measurement System Intergration |
|-------------|---|--------------|---|

Outline Drawing

N-Female Output (P/N: LB-225-NF)



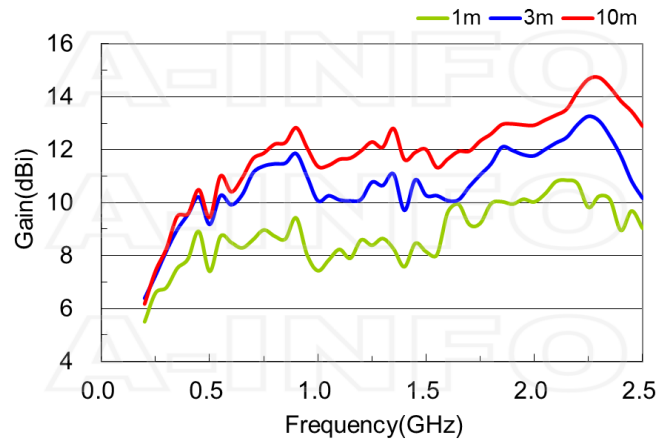
N-Female Output with Tripod (Option, P/N: LB-225_Tripod)



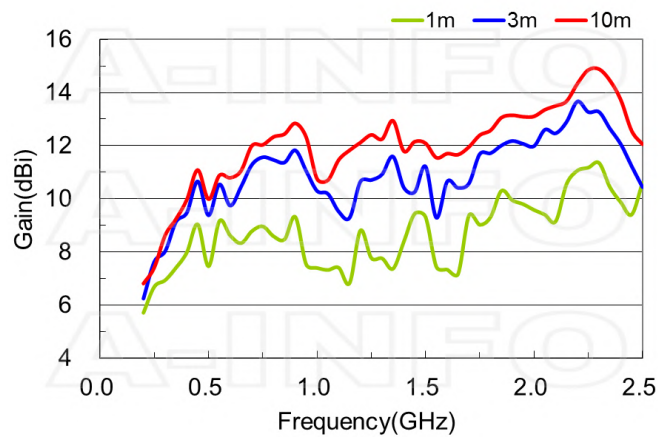
Typical Test Results

Gain

Horizontal Polarization

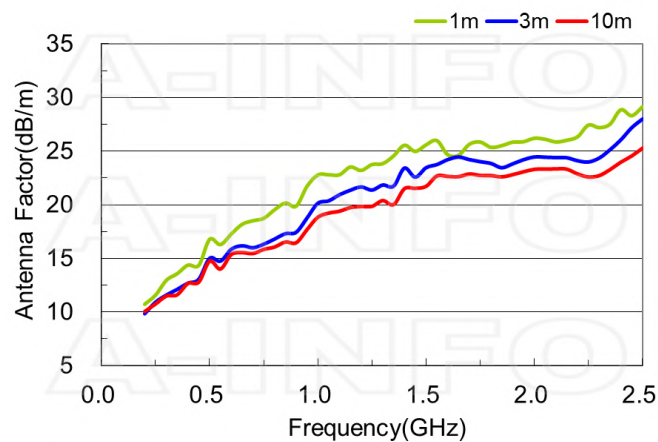


Vertical Polarization

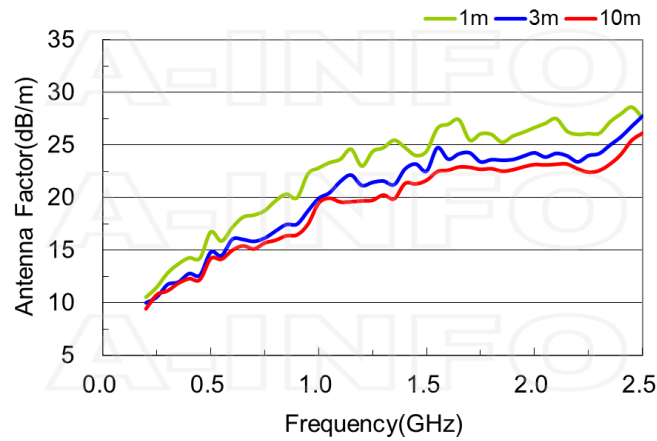


Antenna Factor

Horizontal Polarization



Vertical Polarization



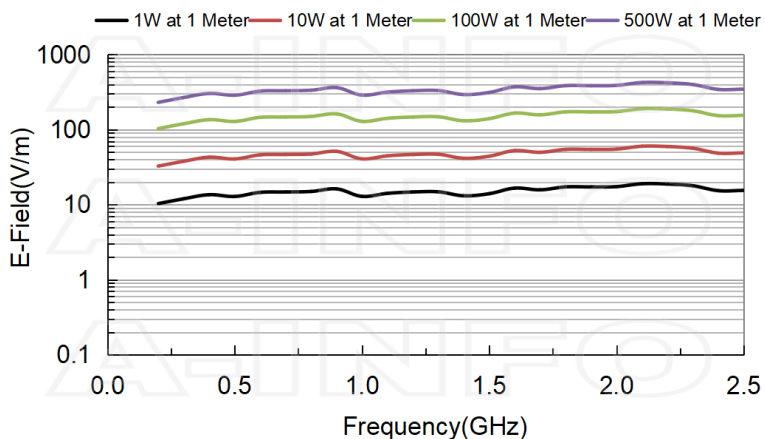
Antenna Factor (Table)

| Vertical Polarization | | | | | | |
|-----------------------|-----------|----------|-----------|----------|-----------|----------|
| Frequency(G Hz) | 1m | | 3m | | 10m | |
| | Gain(dBi) | AF(dB/m) | Gain(dBi) | AF(dB/m) | Gain(dBi) | AF(dB/m) |
| 0.2 | 5.71 | 10.52 | 6.24 | 9.99 | 6.81 | 9.42 |
| 0.3 | 6.94 | 12.82 | 8.02 | 11.73 | 8.62 | 11.13 |
| 0.4 | 7.98 | 14.27 | 9.48 | 12.77 | 9.97 | 12.28 |
| 0.5 | 7.46 | 16.73 | 9.38 | 14.81 | 9.99 | 14.20 |
| 0.6 | 8.62 | 17.16 | 9.74 | 16.03 | 10.79 | 14.98 |
| 0.7 | 8.78 | 18.33 | 11.28 | 15.83 | 12.00 | 15.11 |
| 0.8 | 8.59 | 19.68 | 11.46 | 16.81 | 12.33 | 15.94 |
| 0.9 | 9.32 | 19.98 | 11.83 | 17.47 | 12.84 | 16.45 |
| 1.0 | 7.40 | 22.81 | 10.30 | 19.91 | 10.76 | 19.45 |
| 1.5 | 9.32 | 24.41 | 11.22 | 22.52 | 12.09 | 21.64 |
| 2.0 | 9.58 | 26.65 | 11.98 | 24.25 | 13.10 | 23.13 |
| 2.5 | 10.60 | 27.57 | 10.44 | 27.73 | 12.05 | 26.12 |

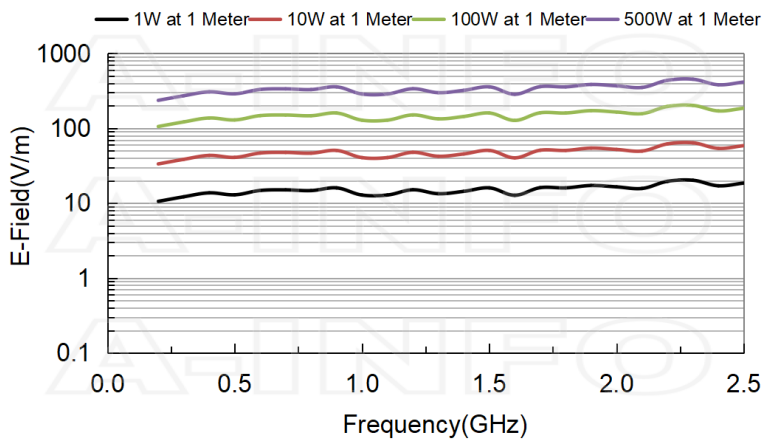
| Horizontal Polarization | | | | | | |
|-------------------------|-----------|----------|-----------|----------|-----------|----------|
| Frequency(G Hz) | 1m | | 3m | | 10m | |
| | Gain(dBi) | AF(dB/m) | Gain(dBi) | AF(dB/m) | Gain(dBi) | AF(dB/m) |
| 0.2 | 5.50 | 10.73 | 6.39 | 9.84 | 6.18 | 10.05 |
| 0.3 | 6.79 | 12.96 | 8.17 | 11.58 | 8.26 | 11.49 |
| 0.4 | 7.88 | 14.37 | 9.56 | 12.69 | 9.58 | 12.67 |
| 0.5 | 7.41 | 16.78 | 9.18 | 15.01 | 9.44 | 14.74 |
| 0.6 | 8.50 | 17.28 | 9.92 | 15.85 | 10.41 | 15.36 |
| 0.7 | 8.60 | 18.51 | 11.12 | 15.99 | 11.66 | 15.45 |
| 0.8 | 8.74 | 19.53 | 11.46 | 16.81 | 12.21 | 16.06 |
| 0.9 | 9.42 | 19.87 | 11.85 | 17.44 | 12.83 | 16.46 |
| 1.0 | 7.43 | 22.78 | 10.07 | 20.14 | 11.37 | 18.84 |
| 1.5 | 8.15 | 25.58 | 10.27 | 23.46 | 12.01 | 21.72 |
| 2.0 | 10.03 | 26.20 | 11.77 | 24.46 | 12.92 | 23.31 |
| 2.5 | 9.03 | 29.14 | 10.17 | 28.00 | 12.89 | 25.28 |

Field Strength

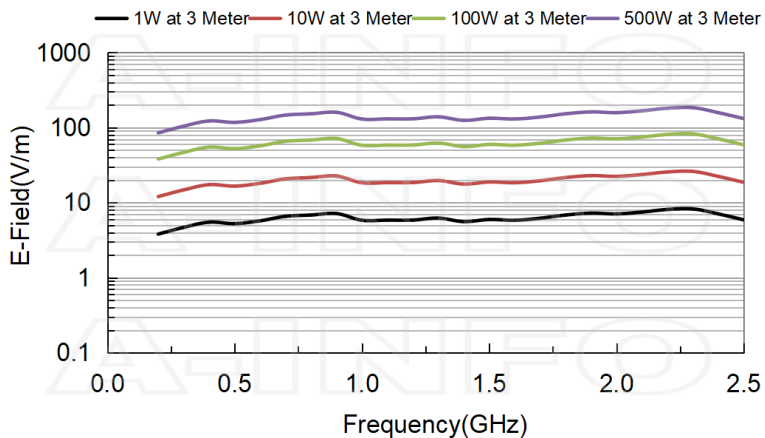
Horizontal Polarization



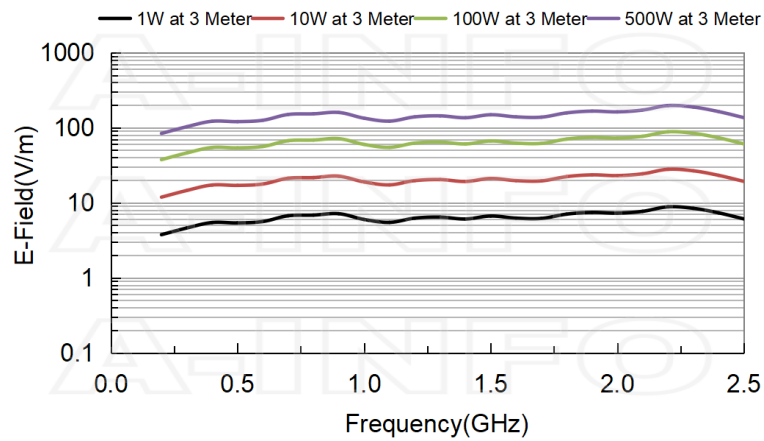
Vertical Polarization



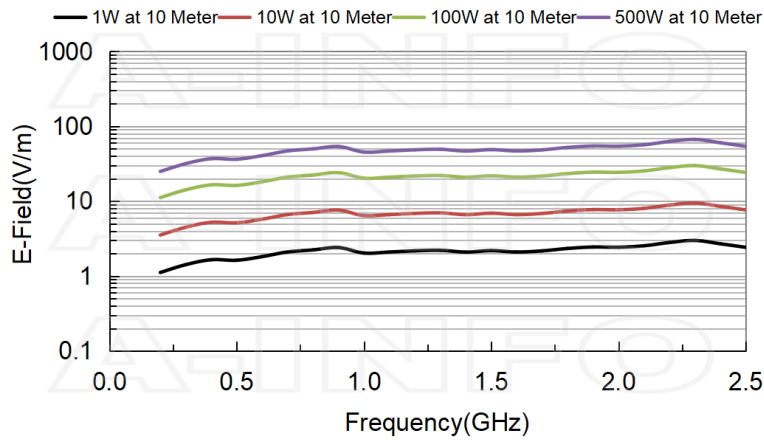
Horizontal Polarization



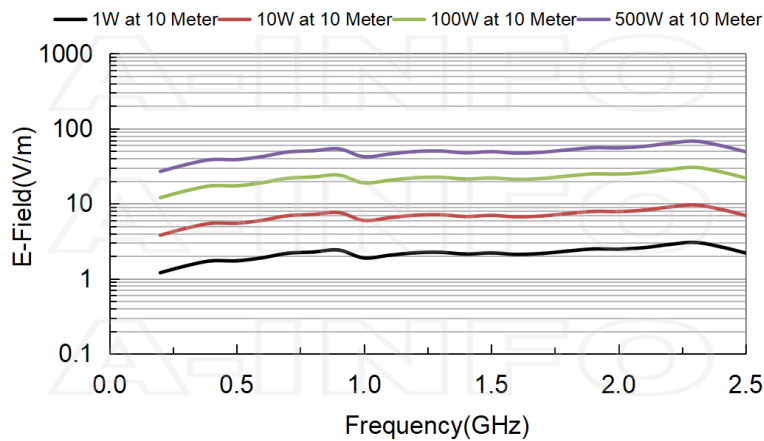
Vertical Polarization



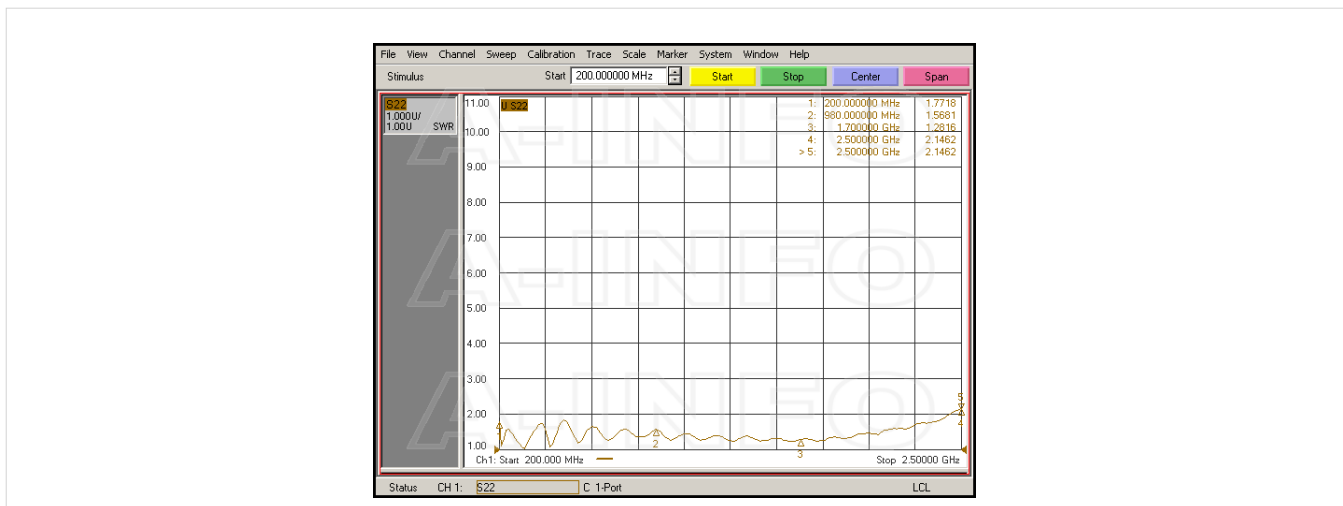
Horizontal Polarization



Vertical Polarization

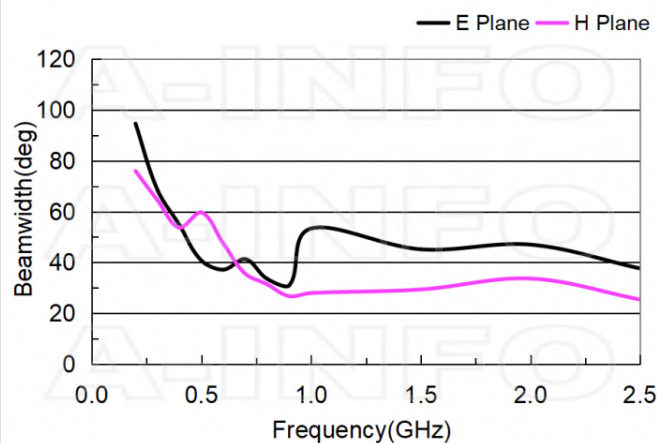


VSWR

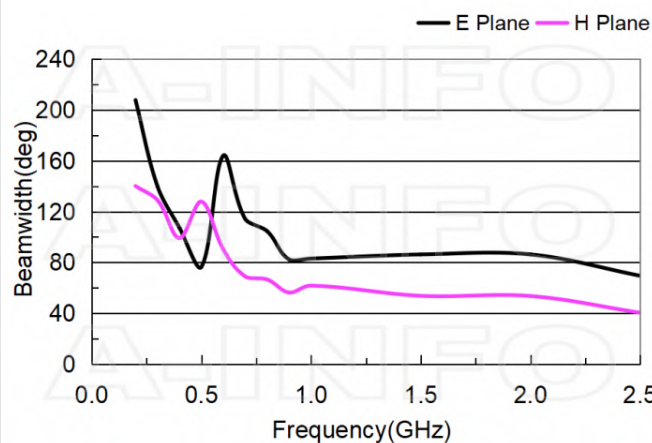


Beamwidth

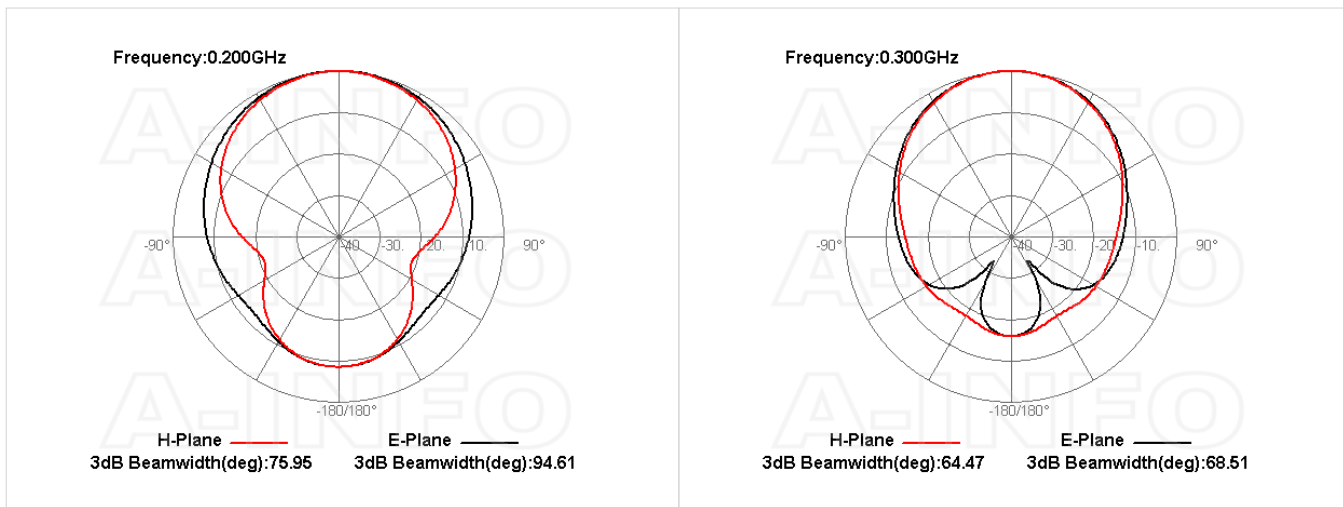
3dB Beamwidth



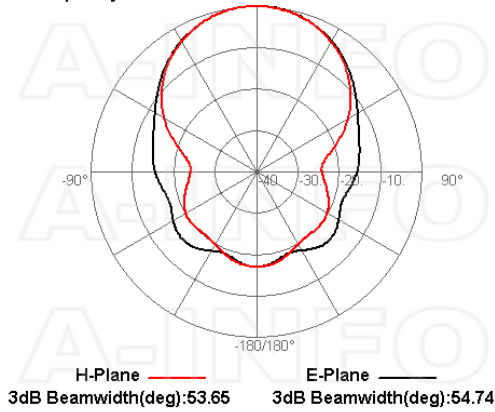
10dB Beamwidth



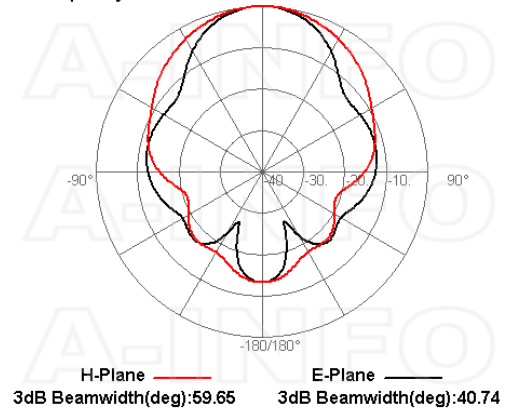
Pattern



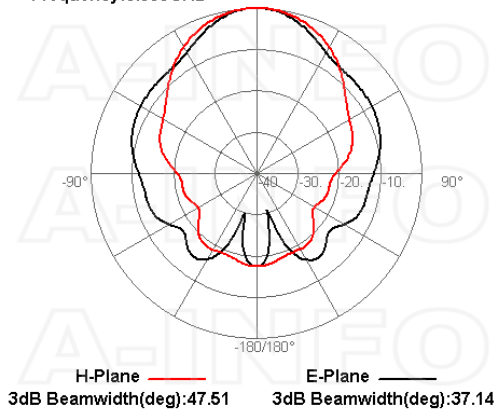
Frequency:0.400GHz



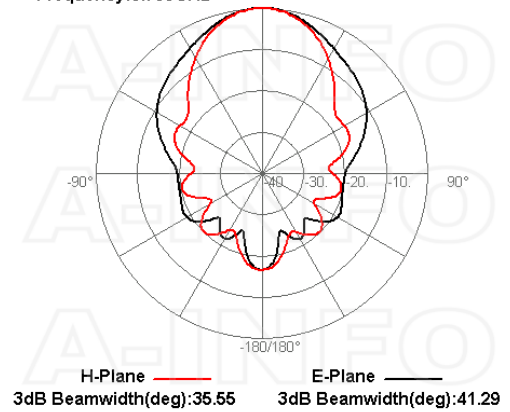
Frequency:0.500GHz



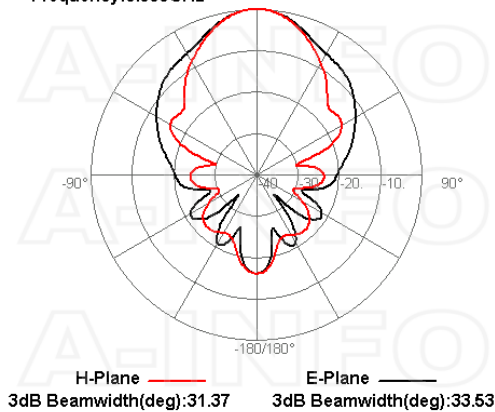
Frequency:0.600GHz



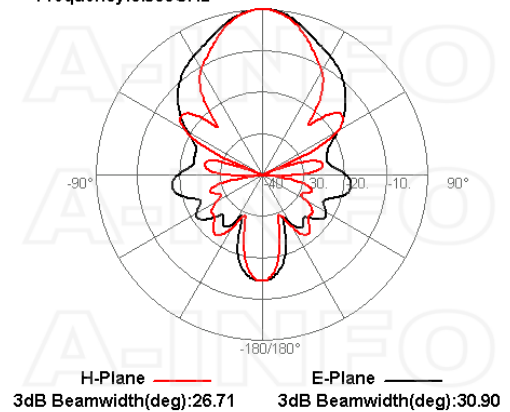
Frequency:0.700GHz

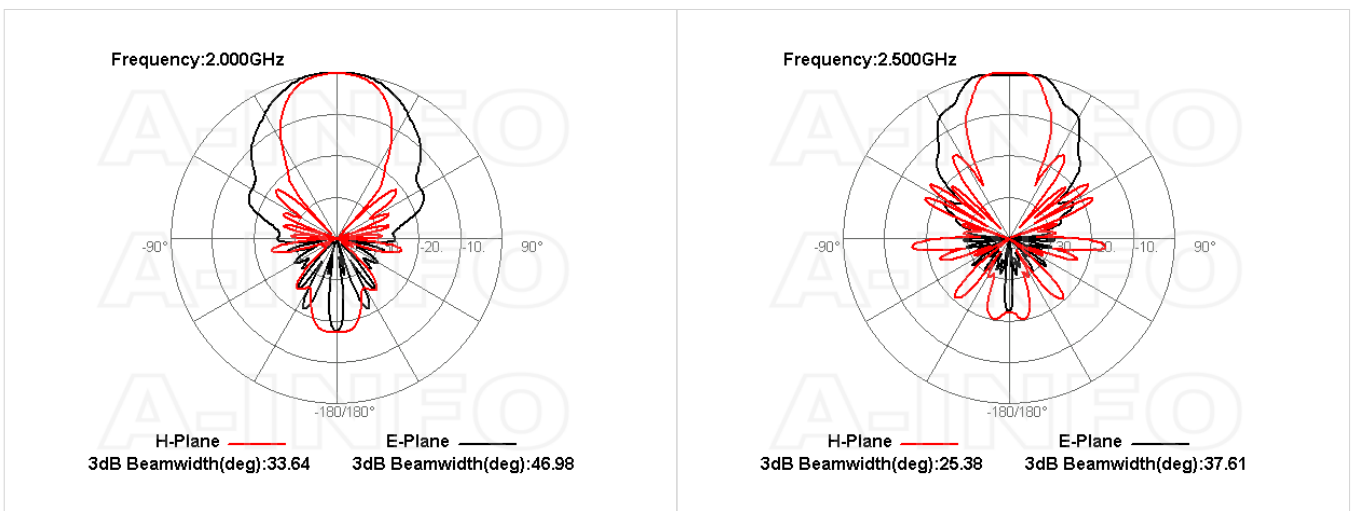
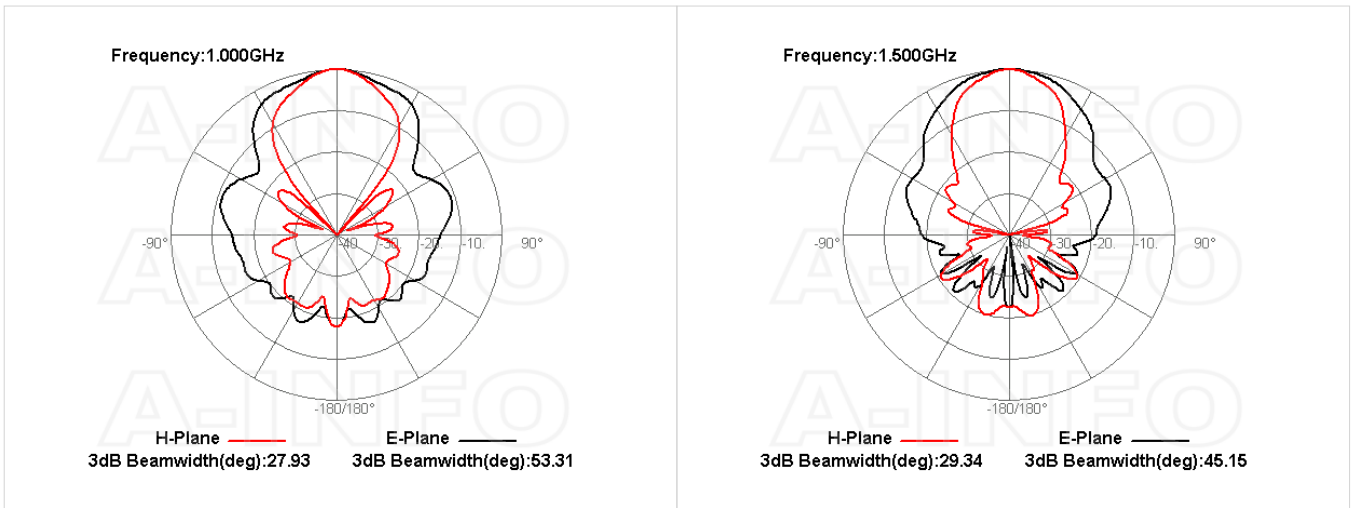


Frequency:0.800GHz



Frequency:0.900GHz





Related Products



LB-225_Tripod AI Alloy Tripod



NM-NM-A050-1000 Flexible Cable Assembly 1000mm DC-18GHz N Male to N Male



NM-NM-A050-1500 Flexible Cable Assembly 1500mm DC-18GHz N Male to N Male



NM-NM-A050-2000 Flexible Cable Assembly 2000mm DC-18GHz N Male to N Male



NM-NM-A050-3000 Flexible Cable Assembly 3000mm DC-18GHz N Male to N Male



NM-NM-A050-5000 Flexible Cable Assembly 5000mm DC-18GHz N Male to N Male



NM-NM-A050-10000 Flexible Cable Assembly 10000mm DC-18GHz N Male to N Male



NM-NM-A050-20000 Flexible Cable Assembly 20000mm DC-18GHz N Male to N Male



NM-NM-A100-500 Flexible Cable Assembly 500mm DC-18GHz N Male to N Male



NM-NM-A100-1000 Flexible Cable Assembly 1000mm DC-18GHz N Male to N Male



NM-NM-A100-1500 Flexible Cable Assembly 1500mm DC-18GHz N Male to N Male



NM-NM-A100-2000 Flexible Cable Assembly 2000mm DC-18GHz N Male to N Male



NM-NM-A100-3000 Flexible Cable Assembly 3000mm DC-18GHz N Male to N Male



NM-NM-A100-5000 Flexible Cable Assembly 5000mm DC-18GHz N Male to N Male



NM-NM-A100-10000 Flexible Cable Assembly 10000mm DC-18GHz N Male to N Male



NM-NM-A100-20000 Flexible Cable Assembly 20000mm DC-18GHz N Male to N Male

Similar Products



LB-225-7/16F Broadband Horn Antenna 0.2-2.5GHz 12dB Gain 7/16 DIN Female



LB-460-NF Broadband Horn Antenna 0.4-6.0 GHz 10dB Gain N Type Female



LB-460-NFSPO Broadband Horn Antenna 0.4-6GHz 10dB Gain N Type Female

About this Datasheet

| | | |
|---|--|---|
| <ul style="list-style-type: none">● Product Information Product Link: https://www.ainfoinc.com/lb-225-nf-broadband-horn-antenna-0-2-2-5-ghz-12db-gain-n-type-female Data subject to change without notice. © A-INFO INC. 2024. All Rights Reserved | <ul style="list-style-type: none">● Contact Us Address: 60 Tesla, Irvine, CA 92618, USA Website: www.ainfoinc.com Email: sales@ainfoinc.com | <ul style="list-style-type: none">● Phone & Fax Phone: +1-949-639-9688 +1-949-639-9608 Fax: +1-949-639-9670 |
|---|--|---|