

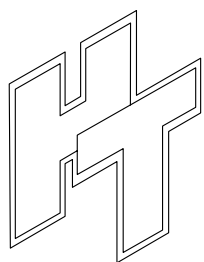
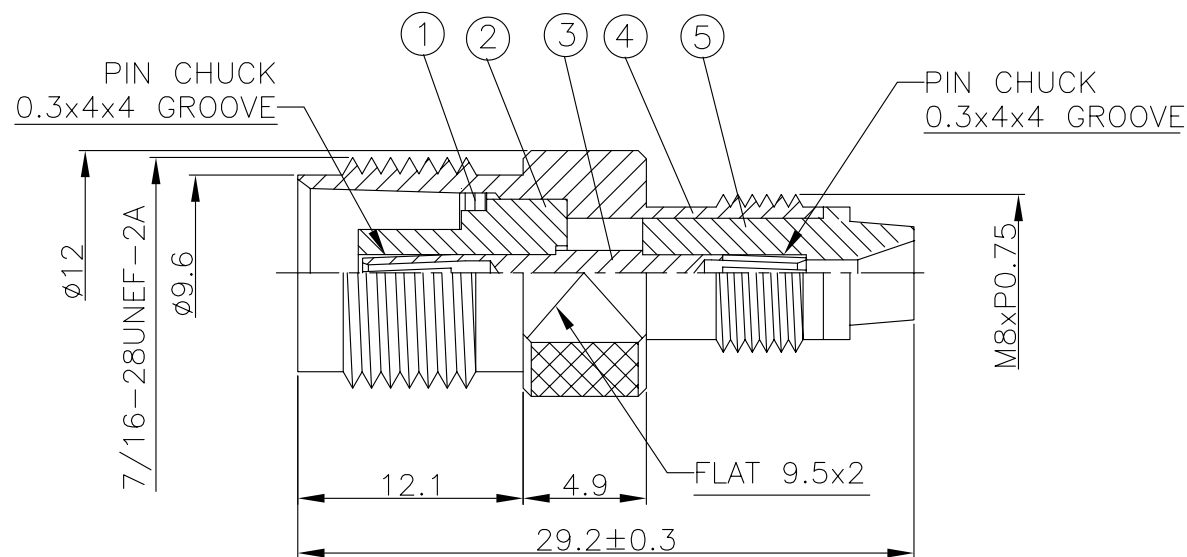
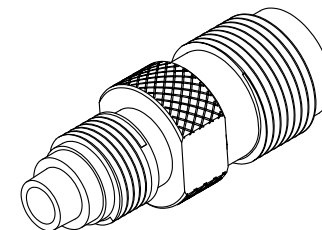
4

3

2

1

NO	DESCRIPTION	MATERIAL	Q'TY	FINISH	REMARK
1	WASHER	BRASS	1	NICKEL	W-0007-N
2	INSULATION	DELTRIN	1	DELTRIN	I-0245D
3	PIN	BRASS	1	GOLD	P-FME0341-G
4	BODY	BRASS	1	NICKEL	B-FME0501-N
5	INSULATION	DELTRIN	1	DELTRIN	I-0246D



HUS-TSAN GROUP CO., LTD.

P.O.BOX 40-76.TAINAN.TAIWAN,R.O.C.

TITLE
FME FEMALE-TNC FEMALE

PART NO. FME-26-DGN

DRAWING NO. FME 26 DGN

DRAWN MARY DATE 96.07.07

CHECKED 蘇志欣

Q.A. 蘇姿潔

APPROVAL 徐燦霖

REVISION

DATE

DATE

DATE

DATE

DIMENSIONS ARE IN MILLIMETERS

UNLESS OTHERS SPECIFIED
TOLERANCE

0.5-5 = ±0.2 120-315 = ±1

5-30 = ±0.4 315-1000 = ±1.6

30-120 = ±0.6 1000-2000 = ±2.4

SCALE 4:1 SIZE A

REVISION

DESCRIPTION	ENGINEER

4

3

2

1