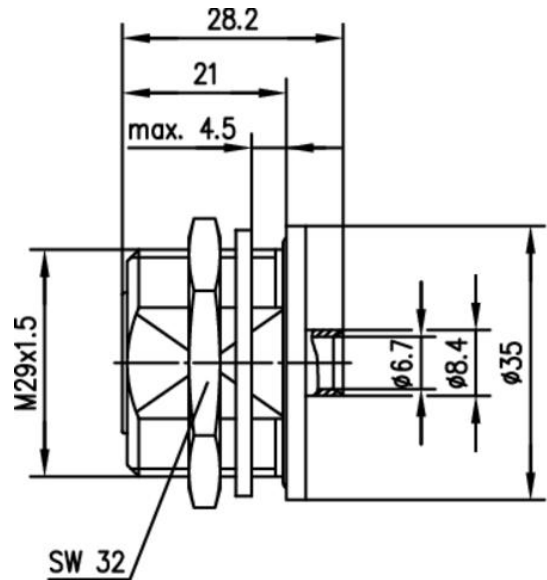


order number: J01121B0000

7-16 Bulkhead Jack G9 (UT-250); G20 (1/4"-FLEX) IP 68



| Technical Attributes | |
|----------------------|--|
| Cable group; cable | G9 (UT-250); G20 (1/4" FLEX) EZ 250 RG-401/U SUCOFORM 250 UT-250 Flexiform 401 FSJ1-50 5042 1/4"-Hiflex SCF 14-50 J RFF 1/4"-50 |
| Remarks | IP 68; with panel seal |
| Mount. dim. | Z69 |
| Assembly | B70 |
| Series | |
| Finish | |
| Dimensions | |
| Crimp die | |

Product description

The 7-16 (DIN) series is a very popular coax connector for use in Mobile Radio equipment. It is a larger sized precision weatherproof connector supplied with a thread coupling. Depending on design, this connector can be used up to 7.5 GHz. Only 50 Ω impedances are available. Connector styles are available for flexible, conformable, semi-rigid and corrugated cable types. Solder, clamp or crimp cable terminations are used for this series. Applications for these connectors are typically radio base station interconnection and test equipment where vibration resistance and environmental protection is required. Special design techniques for this series of connectors have resulted in previously unattainable levels of performance in regard to return loss (VSWR) and intermodulation distortion. 7-16 connectors allow high-power high-frequency transmission in coaxial lines.

Mating face sealing for 7-16 connectors between plug and jack (mated) according to IP 68. This classification is a general statement for the relevant series. Individual connectors may deviate from the values shown. If in doubt, please consult our engineers.

| Mechanical Characteristics | |
|-----------------------------|--|
| Durability (mating cycles) | ≥ 500 |
| Recommended coupling torque | 25 - 35 Nm |
| Material: spring contacts | CuBe2, copper alloy |
| Material: outer conductor | CuZn39Pb3 |
| Material: other metal parts | CuZn39Pb3 |
| Material: insulators | PTFE, PFA |
| Material: gaskets | Silicone, NBR |
| Finish: Inner conductor | Cu2Ag5 |
| Finish: Outer conductor | CuSnZn3, Ag2CuSnZn0.5 (Optargen), Cu2Ag3 |
| Finish: Other metal parts | CuSnZn3 (Telealloy), Ni, Cu2Ag3 |

| Climatic Characteristics | |
|---|-----------|
| Climatic category acc. to IEC 60068 - 1 | 55/155/56 |

| Electrical Characteristics | |
|------------------------------------|----------------------------|
| Contact resistance inner conductor | $\leq 0.4 \text{ m}\Omega$ |
| Contact resistance outer conductor | $\leq 0.2 \text{ m}\Omega$ |
| Insulation resistance | $\geq 10 \text{ G}\Omega$ |
| Voltage proof | 4 kVeff/50 Hz |

| | |
|-----------------------------|------------------------------|
| Impedance | 50 Ω |
| Return loss: Flexible cable | 40 dB/1 GHz bzw. 36 dB/2 GHz |
| Return loss: Straight style | 32 dB/4 GHz bzw. 28 dB/6 GHz |
| Working voltage | ≤ 2.7 kVeff/50 Hz |
| Power | 1.8 kW/1 GHz |
| Frequency range up to | 7.5 GHz |

| Standards | |
|--------------|--|
| IEC 61 169-4 | |