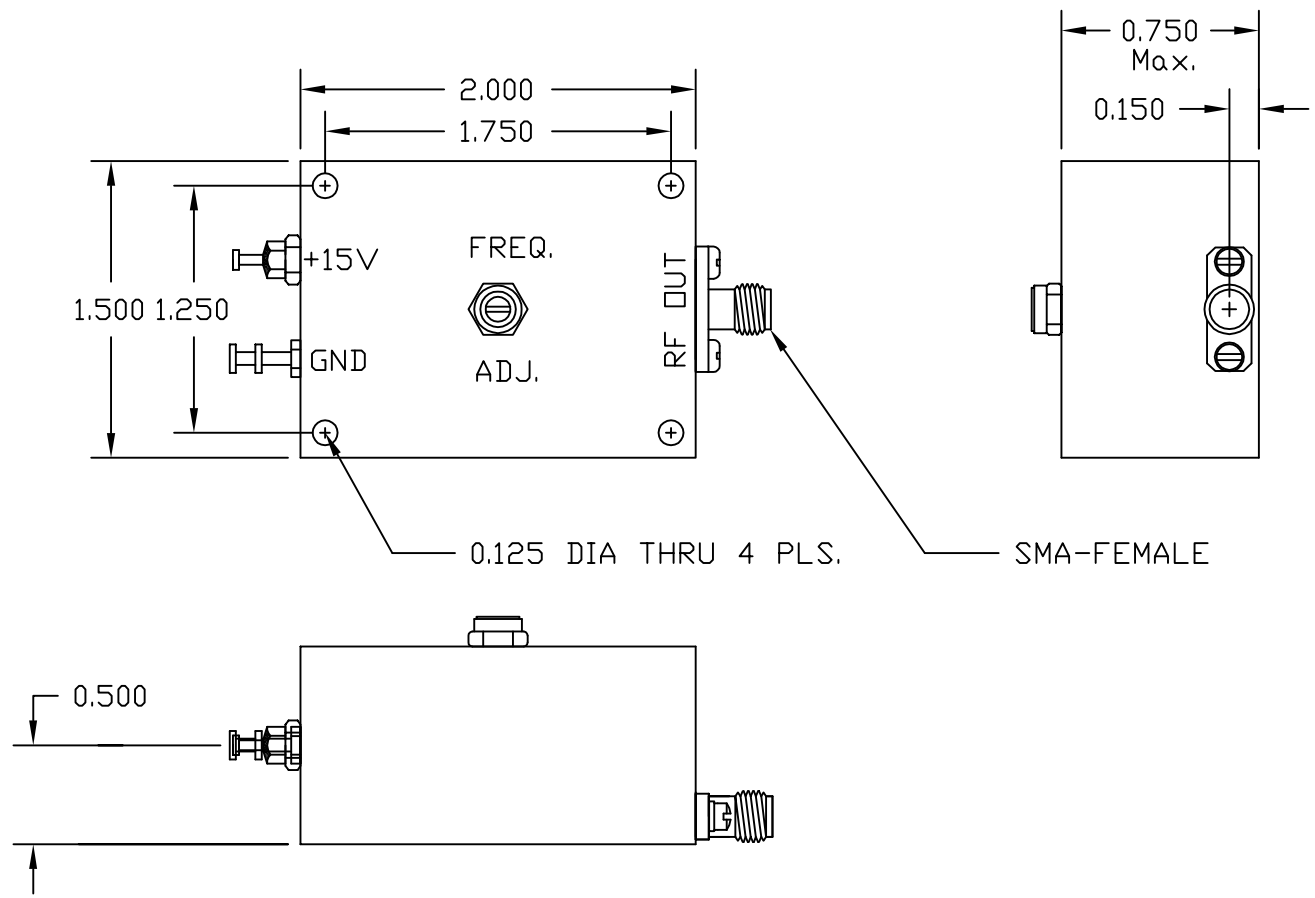



APPLICATION			REVISION		
NEXT ASSY	USED ON	LTR	DESCRIPTION	DATE	APPROVED



Specifications:

- Frequency: 9900 MHz
- Frequency Adjust: +/- 150 MHz Min.
- Output Power: +15 DBm Min.
- Harmonics: -20 DB Max.
- Spurious: -80 dbc Max.
- Frequency Stability: -/+ 10ppm/C max.
- Power Supply: 7 to 15 VDC A 100ma Max.
- Temp. Range: -55 to +85 degree C.

UNLESS OTHERWISE SPECIFIED DIMENSIONS ARE IN INCHES TOLERANCES ARE: FRACTIONS DECIMALS ANGLES ± .XX ±.03 ± .XXX ±.01	CONTRACT NO.		 TAYLOR MICROWAVE, INC. 1004-76TH STREET • NORTH BERGEN, N.J. 07047			
	APPROVALS	DATE				
	DRAWN J.B.	6/96				
	CHECKED					
MATERIAL	E.E.	B.S.	2/15	TITLE	DIELECTRIC RESONATOR OSCILLATOR	
	FINISH		SIZE	CODE IDENT NO.	DRAWING NO.	
GREY PAINT		A	OE3Y7	DRD-B-9900-B-A-1		
DO NOT SCALE DRAWING		SCALE	CAD 13	SHEET 1 OF 1		