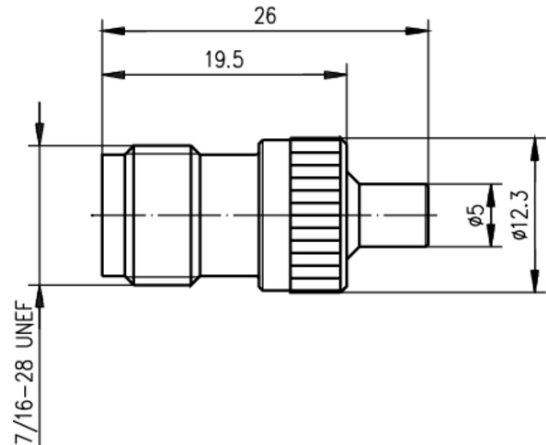


order number: J01019A0024

TNC to MCX f-f



Technical Attributes	
Type	TNC (f)/MCX (f)
Max. Frequency	6 GHz
Life	min. 100
Z	Ω
Series	
Finish	
Mount. dim.	