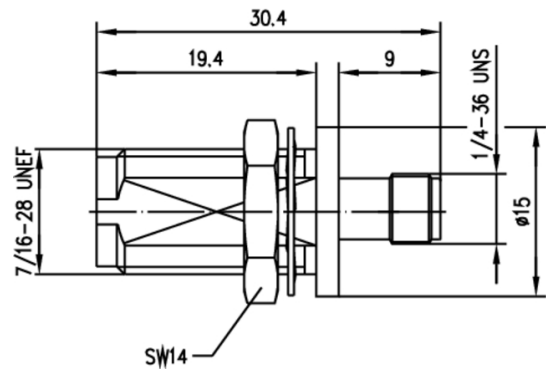
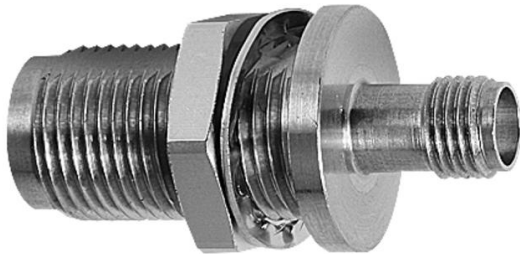


order number: J01019A0028

TNC to SMA f-f



Technical Attributes	
Type	TNC (f)/SMA (f)
Remarks	bulkhead adaptor; stainless steel body
Max. Frequency	11 GHz
Return Loss	30dB/1GHz; 24dB/6GHz; 20dB/11GHz
Mount. dim.	Z03
Life	min. 1000
Z	Ω
Series	
Finish	