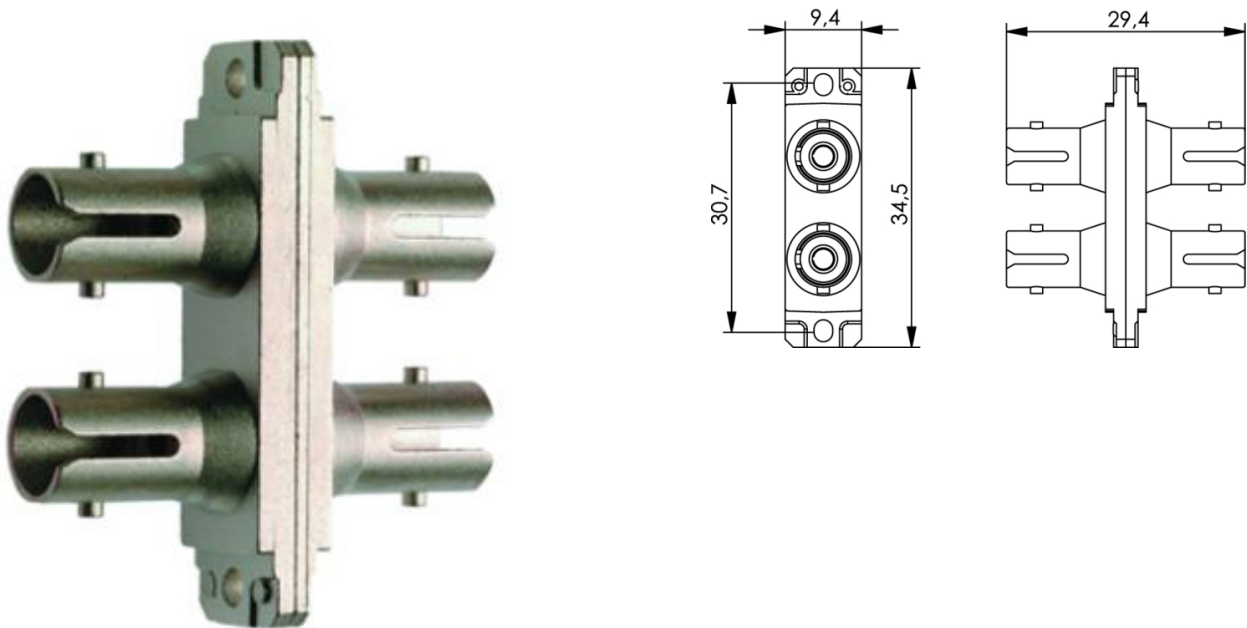


order number: J08011A0014

ST-Duplex Adaptor, Multimode, phosphor bronze sleeve, Plastic housing, incl. tapping screws



Technical Attributes	
Description	ST-Duplex Adaptor, Multimode, phosphor bronze sleeve, Plastic housing, incl. tapping screws
Installation	Flange mounting
Mount. dim.	Z93

Product description

Telegärtner FO connectors are equipped with high quality ferrules and split sleeves which are essential for precision and endurance; termination to cables or fibers may be carried out using common tools and accessories. The preformed convex front end of the connector ferrule provides extremely short polishing duration and exceptional optical performance. All FO connectors comply with the current international standards.

For applications with POF (Plastic Optical Fiber) and PCF (Polymer Cladded Fiber) fibers ST and SC connectors with metal ferrules are available providing extremely quick assembly using simple accessories without adhesive.

The current requirements to achieve in FO applications the same port density as with RJ45 connectors have

led to newly developed FO connector systems named SFF (= Small Form Factor). Telegärtner offers the connector type LC within this system. The space requirements in panels or outlets are only half of those required by common connector types such as ST or SC.

Telegärtner offers a complete range of components within this system: FO connectors, adaptors, patch cables, adaptor cables, outlets with guaranteed bending radii and suitable for standard switching programs, patch panels with and without telescope operation as well as wall boxes in different sizes.

The APC connectors (Angled Physical Contact) with 8° angled polished ferrule end face have been developed for transmission lines with particular high return loss requirements for better than 60 dB.

Mechanical Characteristics	
Type	BFOC/2,5 acc. to IEC 61754-2
Durability (mating cycles)	≥ 1000
Hex crimp size for strain relief	3.4/4.52 x 10 mm; 3.65/4.52 mm
Strain relief	≥100 N
Material: connector ferrule	Zirkonia ceramic
Material: adaptor split sleeve	Zirkonia ceramic or phosphor bronze
Material: connector body (ST3, ST for POF), fixing parts for adaptor	brass, nickel-plated
Material: bayonet coupling nut, connector body (ST), adaptor housing	zinc diecast, nickel-plated
Material: crimp sleeve	copper, nickel-plated
Material: cable boot, dust caps	elastomer, flame retardant, non halogen

Climatic Characteristics	
Operating temperature in °C	-20°...80° C
Storage temperature in °C	-40°...90° C

Optical Characteristics	
Insertion loss: Plug (factory assembly)	Multimode: max. 0.4 dB ¹ ; Singlemode: max. 0.5 dB ¹
Insertion loss: Adaptor (ceramic)	Multimode/Singlemode: max. 0.2 dB ¹
Insertion loss: Adaptor (phosphor bronze)	Multimode: max. 0.2 dB ¹
Return loss	Multimode: min. 30 dB ² ; Singlemode: min. 40 dB ²