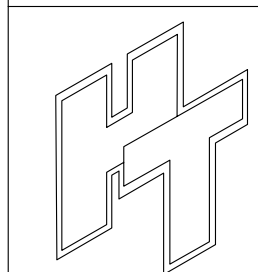
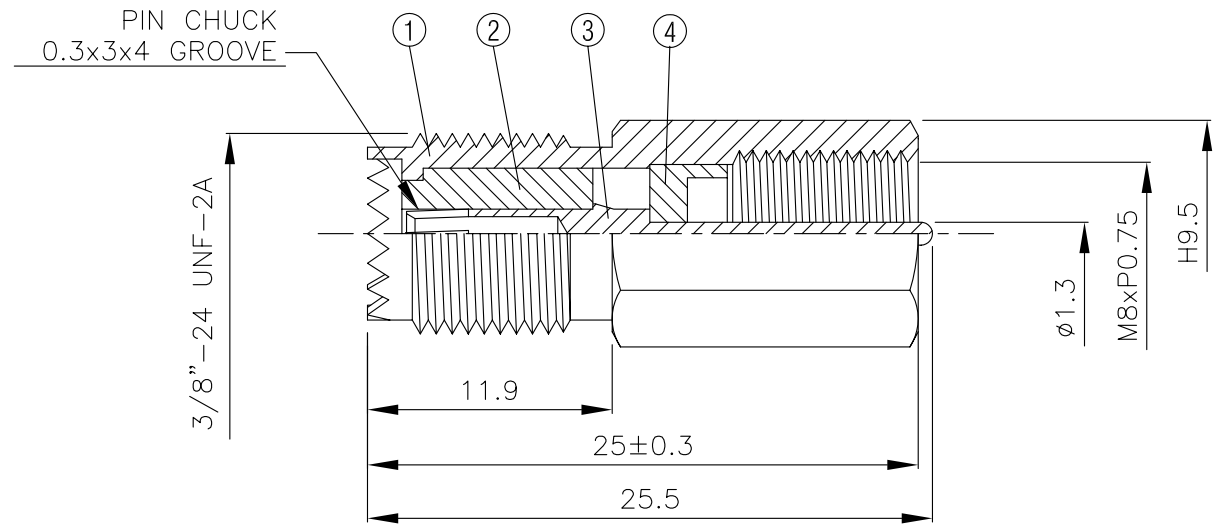
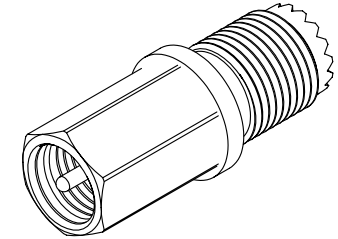


NO	DESCRIPTION	MATERIAL	Q'TY	FINISH	REMARK
1	BODY	BRASS	1	NICKEL	B-FME0667-N
2	INSULATION 1	DELRIN	1	DELRIN	I-0144D
3	PIN	BRASS	1	GOLD	P-FME0449-N
4	INSULATION 2	DELRIN	1	DELRIN	I-0066D



HUS-TSAN GROUP CO., LTD.
P.O.BOX 40-76.TAINAN.TAIWAN,R.O.C.
TITLE FME MALE - Mini UHF FEMALE ADAPTOR
PART NO. FME-09-DGN
DRAWING NO. FME 09 DGN

DRAWN MARY **DATE** 96.07.07
CHECKED 蘇志欣 **DATE**
Q.A. 蘇姿潔 **DATE**
APPROVAL 徐燦霖 **DATE**
REVISION **DATE**

DIMENSIONS ARE IN MILLIMETERS
UNLESS OTHERWISE SPECIFIED TOLERANCE
0.5-5=±0.2 120-315=±1
5-30= ±0.4 315-1000=±1.6
30-120±0.6 1000-2000=±2.4
SCALE 4:1 **SIZE** A

REVISION	
DESCRIPTION	ENGINEER