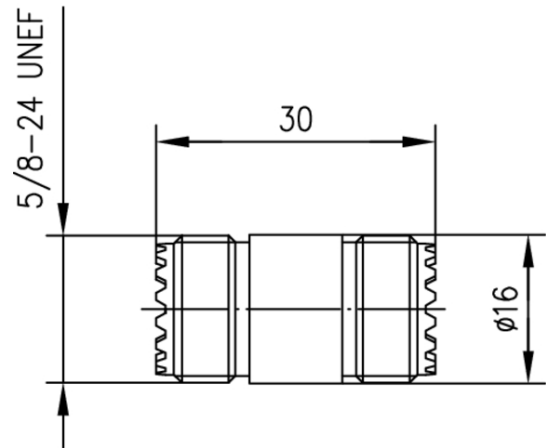
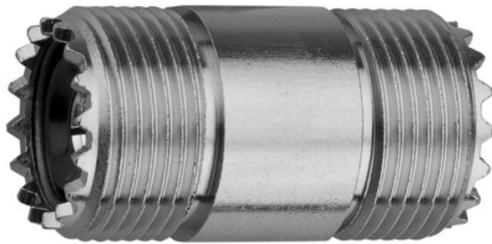


order number: J01042A0637

UHF Adaptor f-f



Technical Attributes	
Remarks	PL 258 f-f
MIL-Std.	UG-299/U
Z	$\Omega$
Cable group; cable	
Dimensions	
Assembly	
Crimp die	

### Product description

The UHF series is a low cost, low frequency connector with a screw coupling. The maximum usable frequency is limited to 200 MHz, as the impedance of the connector is not controlled. Flexible cables up to 11 mm (0.433") in diameter can be used. Soldering and crimping techniques are used for terminating these connectors. Applications for the UHF connectors are for low-frequency communication equipment.

Mechanical Characteristics	
Material: contacts	CuZn39Pb3
Material: other metal parts	CuZn39Pb3
Material: insulators	PTFE; POM; ABS; PPE (Noryl)
	Cu2Ag5

Finish: Inner conductor	
Finish: Outer conductor	CuNi5
Finish: Other metal parts	CuNi5

Climatic Characteristics	
Climatic category acc. to IEC 60068 - 1	40/070/21

Electrical Characteristics	
Contact resistance inner conductor	$\leq 5 \text{ m}\Omega$
Contact resistance outer conductor	$\leq 5 \text{ m}\Omega$
Insulation resistance	$\geq 5 \text{ G}\Omega$
Voltage proof	2 kVeff/50 Hz
Impedance	circa 50 $\Omega$
Working voltage	$\leq 750 \text{ Veff/50 Hz}$
Frequency range up to	200 MHz

Standards	
IEC 60 169-12	

## Note

Combination connectors and cable clamps can be utilised to create a further number of UHF-connector variations.

RF cable assemblies with UHF connectors upon request.