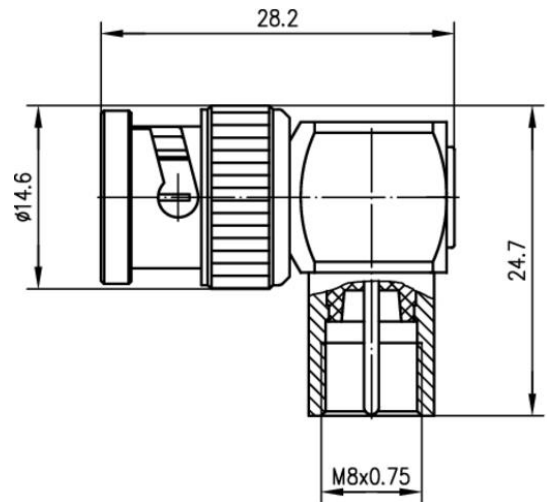


order number: J01008A0059

Angle Adaptor BNC to FME m-m



| Technical Attributes | |
|----------------------|-----------------------------------|
| Type | BNC (m)/FME (m) |
| Max. Frequency | 2 GHz |
| Return Loss | 33dB/1GHz; 25dB/1,5GHz; 19dB/2GHz |
| Life | min. 500 |
| Z | Ω |
| Series | |
| Finish | |
| Mount. dim. | |