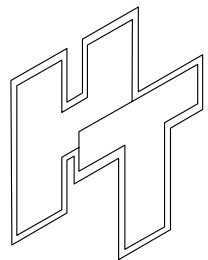
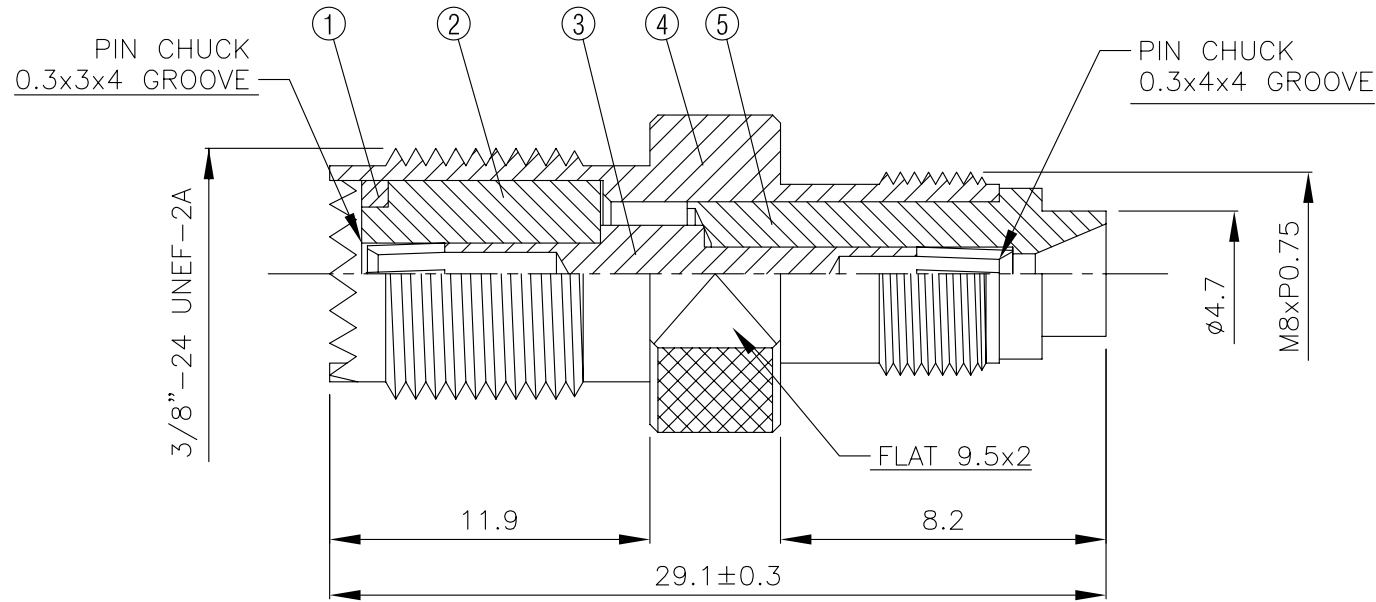
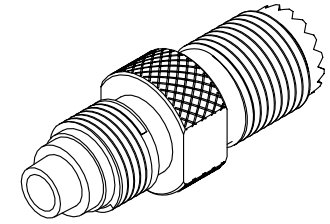


NO	DESCRIPTION	MATERIAL	Q'TY	FINISH	REMARK
1	WASHER	BRASS	1	NICKEL	W-0039-N
2	INSULATION 1	TEFLON	1	TEFLON	I-0144D
3	PIN	BRASS	1	GOLD	P-FME0182-G
4	BODY	BRASS	1	NICKEL	B-FME0305-N
5	INSULATION 2	DELRIN	1	DELRIN	I-0087D



**HUS-TSAN GROUP CO., LTD.**  
P.O. BOX 40-76. TAINAN. TAIWAN, R.O.C.  
**TITLE**  
FME FEMALE - Mini UHF FEMALE  
**PART NO.**  
FME-22-DGN  
**DRAWING NO.**  
FME 22 DGN

**DRAWN** MARY      **DATE** 96.07.07  
**CHECKED** 蘇志欣      **DATE**  
**Q.A.** 蘇姿潔      **DATE**  
**APPROVAL** 徐燦霖      **DATE**  
**REVISION**      **DATE**

**DIMENSIONS ARE IN MILLIMETERS**  
**UNLESS OTHERWISE SPECIFIED TOLERANCE**  
0.5-5 = ±0.2      120-315 = ±1  
5-30 = ±0.4      315-1000 = ±1.6  
30-120 ±0.6      1000-2000 = ±2.4  
**SCALE** 4:1      **SIZE** A

REVISION	
DESCRIPTION	ENGINEER