

Coaxial Adapter 7-16 male - N male

Product Description

Coaxial Adapter, 7-16 Male/N Male

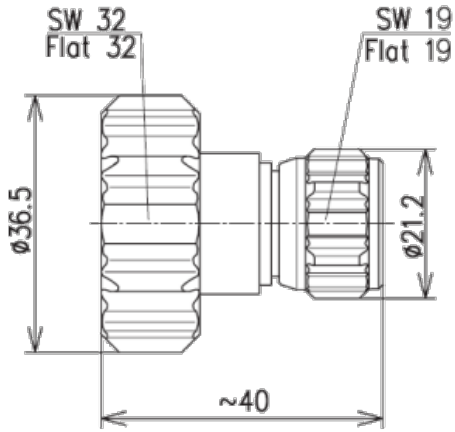
**Features/Benefits****Technical Specifications**

| | |
|--|---|
| Product Line | Coaxial Cable Components |
| Product Type | Coaxial Adapter |
| Coaxial Cable Type | Foam Dielectric Ultraflexible Foam Dielectric Radiating Cable |
| Frequency Range - MHz | DC - 8000 |
| Minimum Return Loss, VSWR (dB) | 0-2000 MHz: 1.02 (40) 2000-2700 MHz: 1.04 (34) 2700-3700 MHz: 1.06 (30.5) |
| Insertion Loss, dB (Max) | 0.02 |
| 3rd Order IM Product @ 2x20 Watts, dBc | < -165 |
| Connector A | 7-16 DIN Male |
| Center Contact Connector A | Brass, silver plated |
| Outer Contact Connector A | Brass, silver plated |
| Connector B | N Male |
| Center Contact Connector B | Brass, silver plated |
| Outer Contact Connector B | Brass, silver plated |
| Body | copper alloy, nickel plated |
| Dielectric | PTFE |
| Gasket | Silicone rubber |
| Sealing class | IP68, connected |
| Operation Temperature, °C(°F) | -45 to 85 (-49 to 185) |
| Package Quantity | 1 |

Notes**Other Documentation**



Coaxial Adapter 7-16 male - N male



All information contained in the present datasheet is subject to confirmation at time of ordering