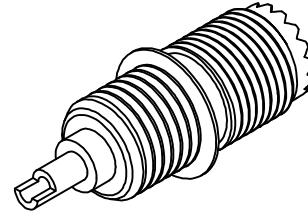


NO	DESCRIPTION	MATERIAL	Q'TY	FINISH
1	BODY	BRASS	1	NICKEL
2	INSULATION	DELRIN	1	DELRIN
3	PIN	BRASS	1	GOLD
4	INSULATION	TEFLON	1	TEFLON
5	WASHER	BRASS	1	NICKEL
6	NUT	BRASS	1	NICKEL



D

D

C

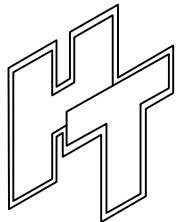
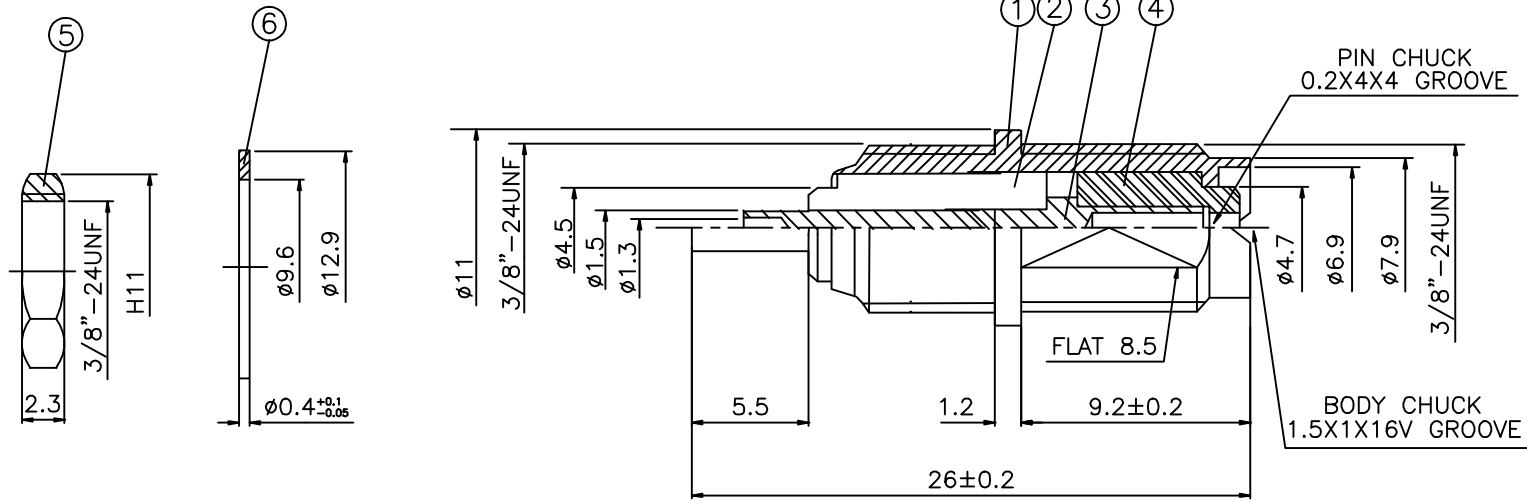
C

B

B

A

A



HUS-TSAN GROUP CO., LTD.

P.O. BOX 40-76. TAINAN. TAIWAN, R.O.C.

TITLE **BULKHEAD FEMALE RECEPTACLE**

PART NO. **MU-05-TGN**

DRAWING NO. **MU 05 TGN**

DRAWN **MARY** DATE **95.11.23**

CHECKED **黃巧君** DATE

Q.A. **蘇姿潔** DATE

APPROVAL **徐燦霖** DATE

REVISION DATE

DIMENSIONS ARE IN MILLIMETERS

UNLESS OTHERWISE SPECIFIED TOLERANCE

0.5-5=±0.2 120-315=±1

5-30=±0.4 315-1000=±1.6

30-120=±0.6 1000-2000=±2.4

SCALE **4:1** SIZE **A**

REVISION

DESCRIPTION ENGINEER

4

3

2

1