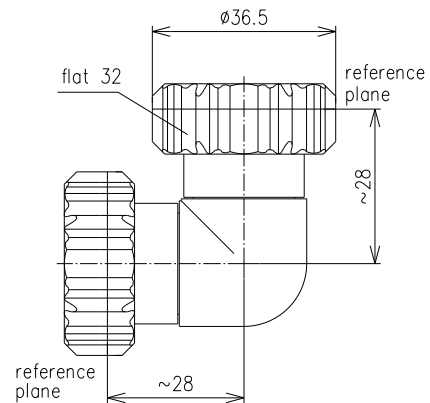


## Adapter 7-16-m-7-16-m-Right-angle | BN 944702



All dimensions in millimeter

## Radio frequency characteristics

Interface type	7-16 plug (50 $\Omega$ ) per IEC 61169-4
Frequency range	DC to 6 GHz
VSWR, max.	1.02 @ DC to 1.0 GHz 1.06 @ 1.0 to 2.7 GHz 1.08 @ 2.7 to 3.8 GHz 1.10 @ 3.8 to 6.0 GHz
Inner conductor material / surface finish	copper alloy / silver plated
Outer conductor material / surface finish	copper alloy / silver plated
Other metal parts / surface finish	copper alloy / nickel plated
Insulation	PTFE
Sealing	silicone rubber
IP protection level	IP68 per EN 60529 (barrier and mating face sealed)
Weight, approx.	210 g