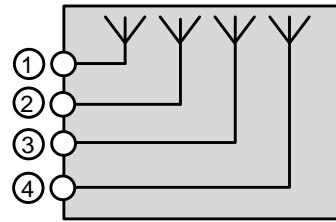


4x4 MIMO XX-Pol Panel Antenna, 694MHz-4000MHz



not binding

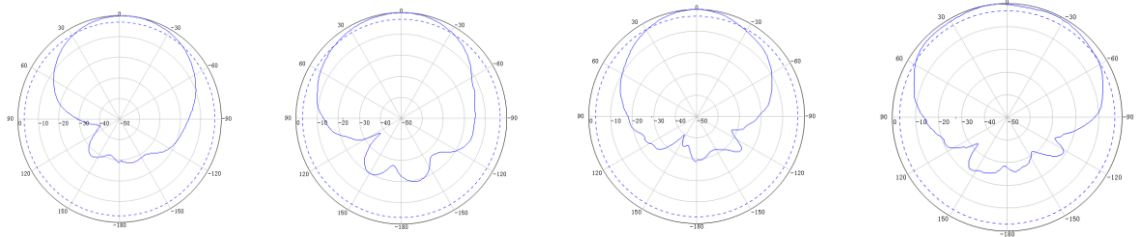


block diagram

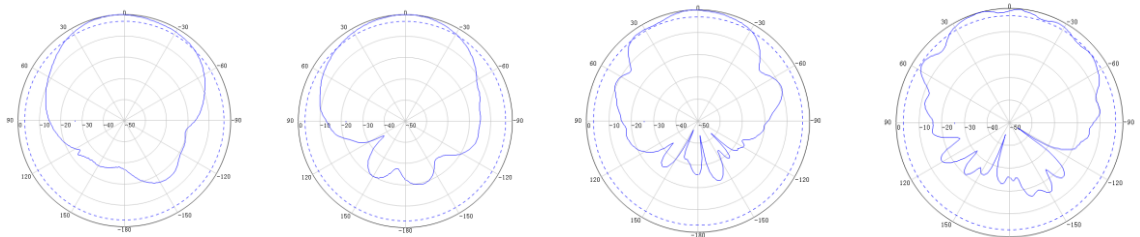
Part number		BN A77676		
Connector		4 x 4.3-10 female (50 Ω)		
Frequency range, [MHz]		694-960	1710-2700	3300-4000
Gain, [dBi]		6.0±1.0	6.5±1.0	6.5±1.0
Polarization		2 x ±45°		
Beam width (Typical)	Horizontal, [deg]	75	70	68
	Vertical, [deg]	70	70	60
VSWR		≤1.8		
Isolation, [dB]		>15	>20	>23
Intermodulation (IM3) @ 2x 20 W, [dBc]		≤-153		
Input power, [W]		max. 50		
Degree of protection		Indoor / IP54		
Weight, without Mounting Kit, [kg]		2.3		
Radome Material and Color		ABS, White, RAL9003		
Temperature range, [°C]		-55 to +60		
Dimensions H x W x D [mm]		308 x 420 x 82		
Pigtail Length, [mm]		550(white)		
Operational Humidity		<95%		
RoHS		Compliant		
Flammability rating		UL 94-V0		
Fire load, [kWh]		7.37		
Installation instructions		M36536		
Mounting Kit		On-wall		

Radiation pattern:

Horizontal Pattern



Vertical Pattern



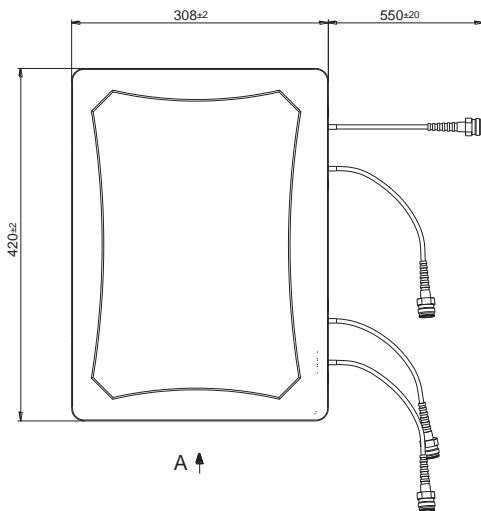
900MHz

1710MHz

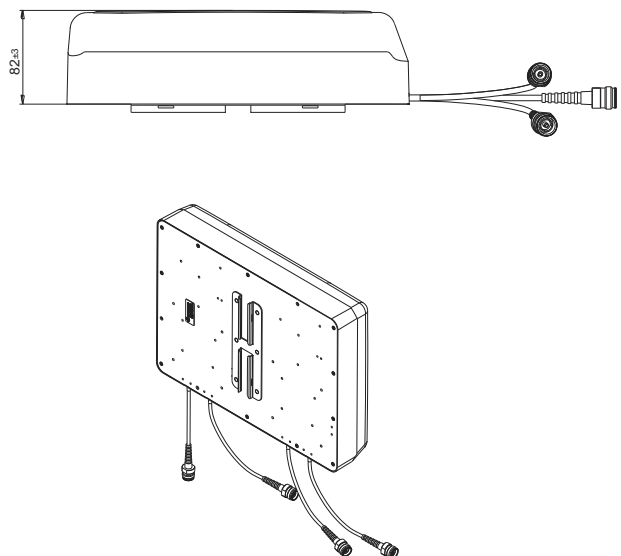
2500MHz

3500 MHz

Dimensions and mounting:



A (1:3)



Standard:

4.3-10 female (50 ohms): IEC 61169-54

Subject to change without notice

Mounting kit:

