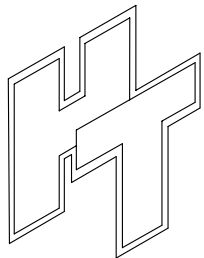
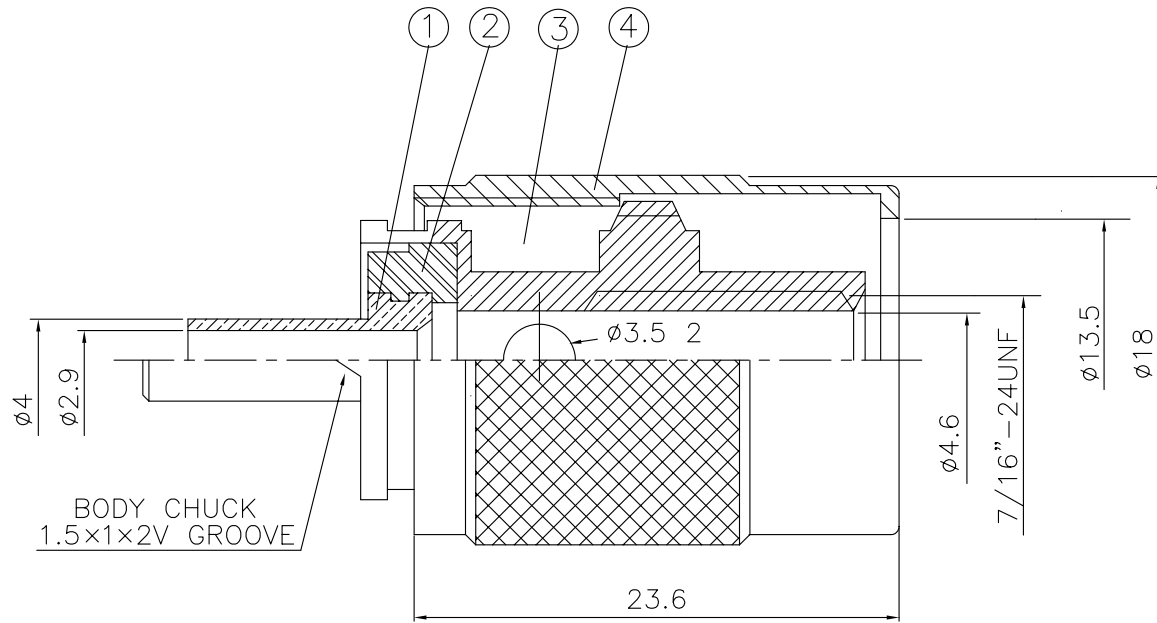
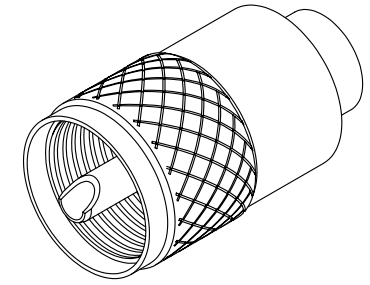


NO	DESCRIPTION	MATERIAL	Q'TY	FINISH
1	PIN	BRASS	1	NICKEL
2	INSULATION	DELRIN	1	DELRIN
3	BODY	BRASS	1	NICKEL
4	SHELL	BRASS	1	NICKEL



HUS-TSAN GROUP CO., LTD.

P.O.BOX 40-76.TAINAN.TAIWAN,R.O.C.

TITLE MALE TWIST ON  
RG58U, 58A/U, 141A/U

PART NO. UHF-07F-DNN

DRAWING NO. UHF 07FDNN

DRAWN MARY DATE 96.02.01

CHECKED 黃巧君 DATE 96.02.01

Q.A. 蘇姿潔 DATE

APPROVAL 徐燦霖 DATE

REVISION DATE

DIMENSIONS ARE IN MILLIMETERS

UNLESS OTHERWISE SPECIFIED  
TOLERANCE

0.5-5=±0.2 120-315=±1

5-30=±0.4 315-1000=±1.6

30-120=±0.6 1000-2000=±2.4

SCALE 4:1 SIZE A

REVISION

DESCRIPTION ENGINEER

D

D

C

C

B

B

A

A

4

3

2

1