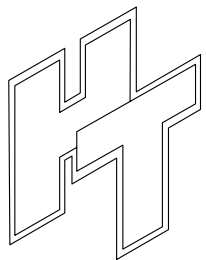
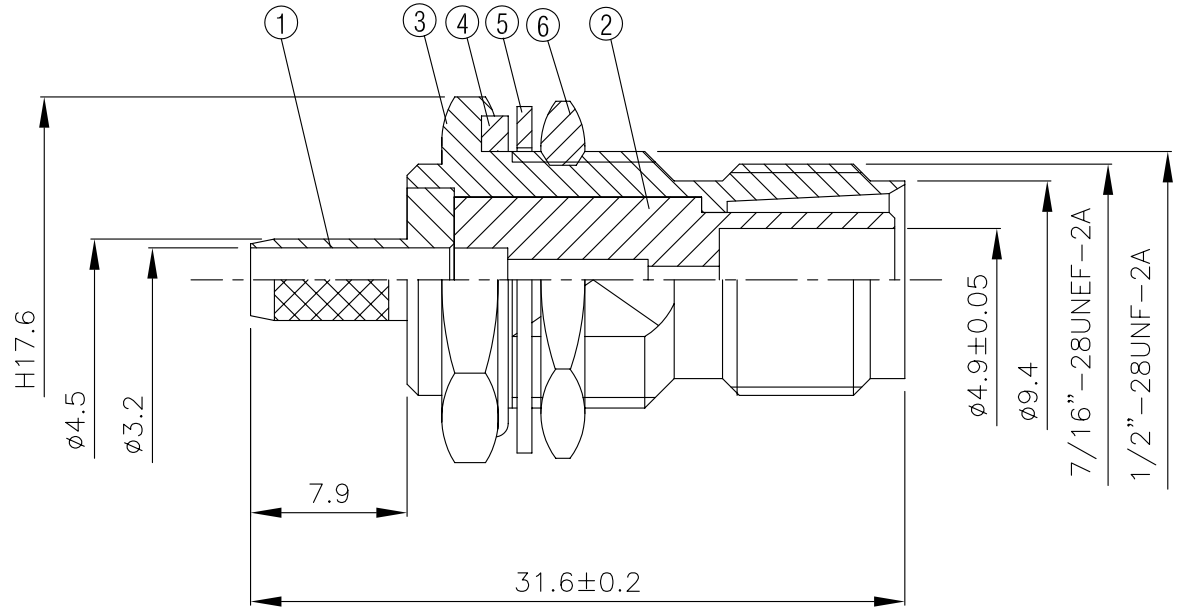
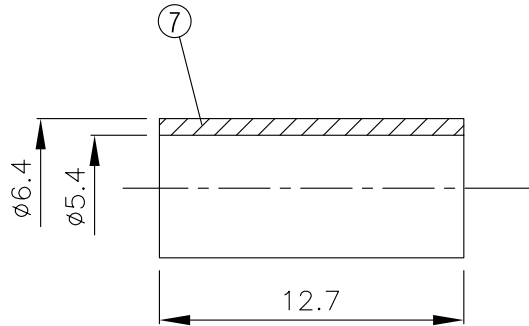
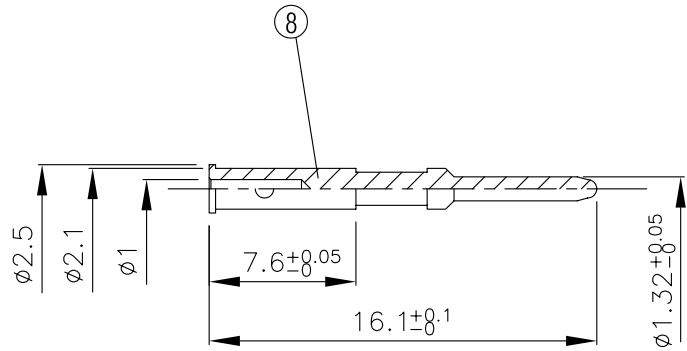
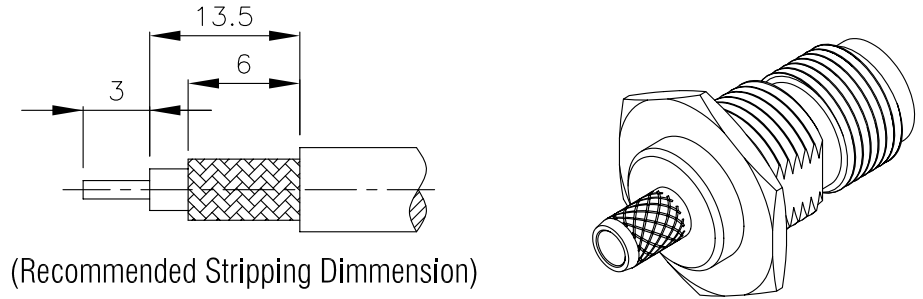


NO	DESCRIPTION	MATERIAL	Q'TY	FINISH	REMARK
1	SHELL	BRASS	1	NICKEL	B-TNC0013-N
2	TEFLON	BRASS	1	NICKEL	I-0128T
3	BODY	BRASS	1	NICKEL	B-TNC0075-N
4	GASKET	SI RUBBER	1	RUBBER	RU-0006
5	WASHER	BRASS	1	NICKEL	W-0001-N
6	NUT	BRASS	1	NICKEL	N-0003-N
7	RING	BRASS	1	NICKEL	R-0007-N
8	PIN	BRASS	1	GOLD	P-TNC0051-G



HUS-TSAN GROUP CO., LTD.

P.O.BOX 40-76.TAINAN.TAIWAN,R.O.C.

TITLE TNC FEMALE CRIMP FOR
RG58U,141A/U

PART NO. TNC-07F-TGN-RP

DRAWING NO. TNC 07F TGN RP

DRAWN MARY DATE 96.07.12

CHECKED 蘇志欣 DATE

Q.A. 蘇姿潔 DATE

APPROVAL 徐燦霖 DATE

REVISION DATE

DIMENSIONS ARE IN MILLIMETERS

UNLESS OTHERWISE SPECIFIED
TOLERANCE

0.5-5=±0.2 120-315=±1

5-30= ±0.4 315-1000=±1.6

30-120±0.6 1000-2000=±2.4

SCALE 4:1 SIZE A

REVISION

DESCRIPTION	ENGINEER

D

C

B

A

D

C

B

A

4

3

2

1