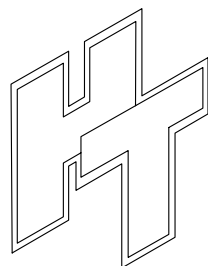
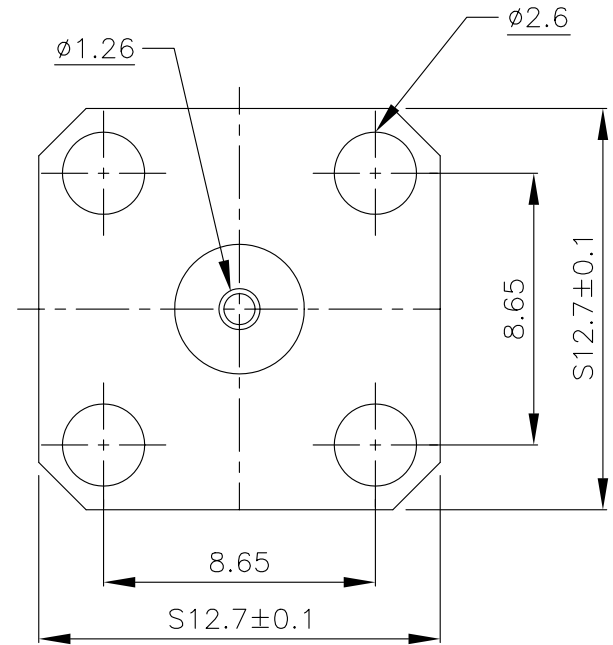
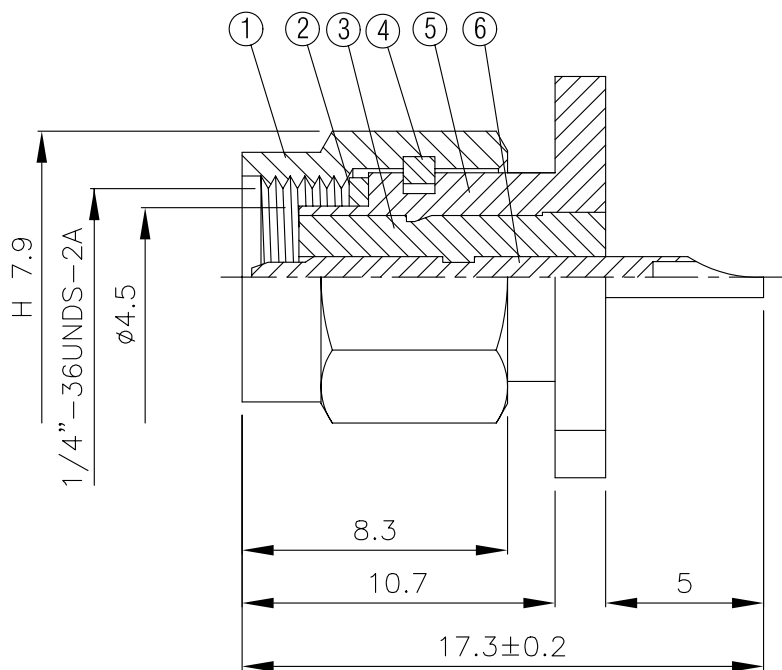
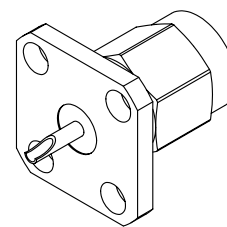


NO	DESCRIPTION	MATERIAL	Q'TY	FINISH	REMARK
1	SHELL	BRASS	1	GOLD	B-SMA0043-G
2	GASKET	SI RUBBER	1	RUBBER	RU-0008
3	INSULATION	TEFLON	1	TEFLON	I-0132T
4	WASHER	PH.BRONZE	1	GOLD	W-0012
5	BODY	BRASS	1	GOLD	B-SMA0095-G
6	PIN	BRASS	1	GOLD	P-SMA0060-G



HUS-TSAN GROUP CO., LTD.

P.O. BOX 40-76. TAINAN. TAIWAN, R.O.C.

TITLE SMA MALE PANEL RECEPTACLE

PART NO. SMA-33-TGG

DRAWING NO. SMA 33 TGG

DRAWN MARY DATE 96.03.16

CHECKED 蘇姿潔 DATE

Q.A. 馮健華 DATE

APPROVAL 徐燦霖 DATE

REVISION DATE

DIMENSIONS ARE IN MILLIMETERS

UNLESS OTHERWISE SPECIFIED TOLERANCE

0.5-5 = $\pm 0.2$	120-315 = $\pm 1$
5-30 = $\pm 0.4$	315-1000 = $\pm 1.6$
30-120 = $\pm 0.6$	1000-2000 = $\pm 2.4$

SCALE 4:1 SIZE A

REVISION

DESCRIPTION	ENGINEER