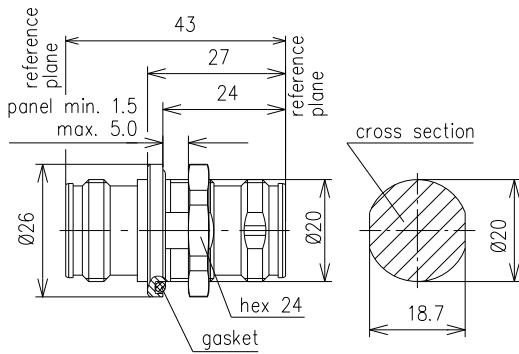


### Adaptor Type 4.3-10 || BN 432019



all dimensions in millimeter

Interface type	4.3-10 socket (50 Ω) per IEC 61169-54 4.3-10 socket (50 Ω) per IEC 61169-54
Version	bulkhead mounting
Frequency range	DC to 6 GHz
VSWR, max. / typ.	1.02 @ DC to 2.0 GHz 1.04 @ 2.0 to 3.0 GHz 1.08 @ 3.0 to 6.0 GHz
Intermodulation (IM3) @ 2x20 W, max.	-166 dBc
Inner conductor material / surface finish	copper alloy / silver plated
Outer conductor material / surface finish	copper alloy / silver plated copper alloy / CuSnZn plated
Other metal parts / surface finish	copper alloy / CuSnZn plated
Insulation	PTFE
Sealing	silicone rubber
IP protection level	IP68 per EN 60529 (interface connected with appropriate gasket)
Weight, approx.	70 g

SPINNER GmbH  
 This document is proprietary to us.  
 All rights reserved. Any use, transfer, or reproduction of this document  
 or the know-how contained therein requires our express consent.