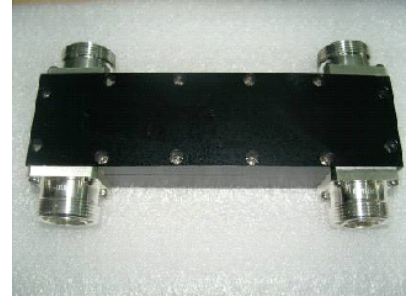


## 3dB Directional Hybrid Coupler

**Product Description**

The CDS3\*-700/2700 hybrid couplers are four-port directional couplers which equally combine two wireless signals and transfer the combined signal to two output ports. The products are designed for wireless services and applications in the frequency band from 700-2700MHz including 2G / 3G / 4G.



CDS3DE-700/2700

**Features/Benefits**

- 200 Watt Average Power Rating
- High Reliability
- 7-16 DIN female connectors

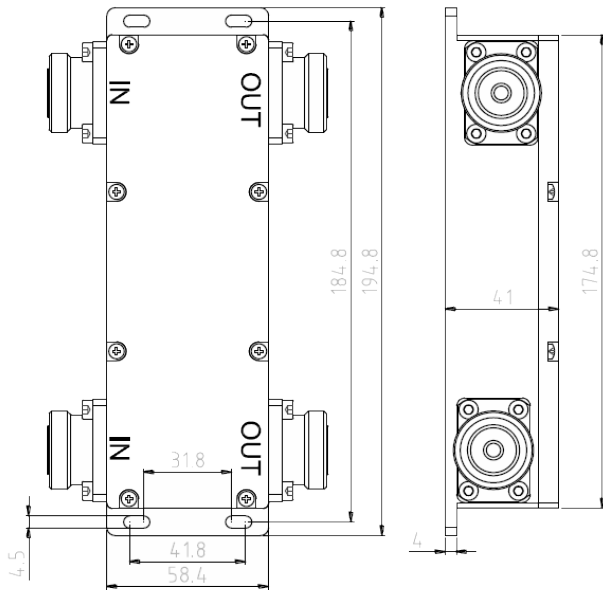
**Technical Specifications**

Product Type	Directional Hybrid Coupler
Techn. Application	Indoor / Outdoor
Frequency Range, MHz	700 - 2700
Number of Input Ports	2
Number of Output Ports	2
Connector Type	7-16 female
Impedance, Ohm	50
VSWR / R L, dB	1.2 / 20.8
Intermodulation (IM3)	= 140 dBc with 2x43 dBm tones
Isolation min, dB	25
Coupling Value, dB	3.05±0.4
Total Input Power, W	200
Temperature Range, °C (°F)	-25 to 65 (-13 to 149 )
Height, mm (in)	41 (1.61)
Width, mm (in)	58.4 (2.3)
Length, mm (in)	194.8 (7.67)
Weight, kg (lb)	1.3 (2.87)
Environmental Class	IP65

**Notes****Other Documentation**



3dB Directional Hybrid Coupler



Sketch CDS3DE-700/2700

All information contained in the present datasheet is subject to confirmation at time of ordering