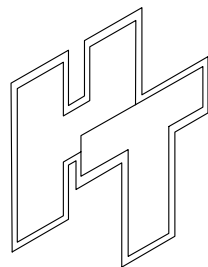
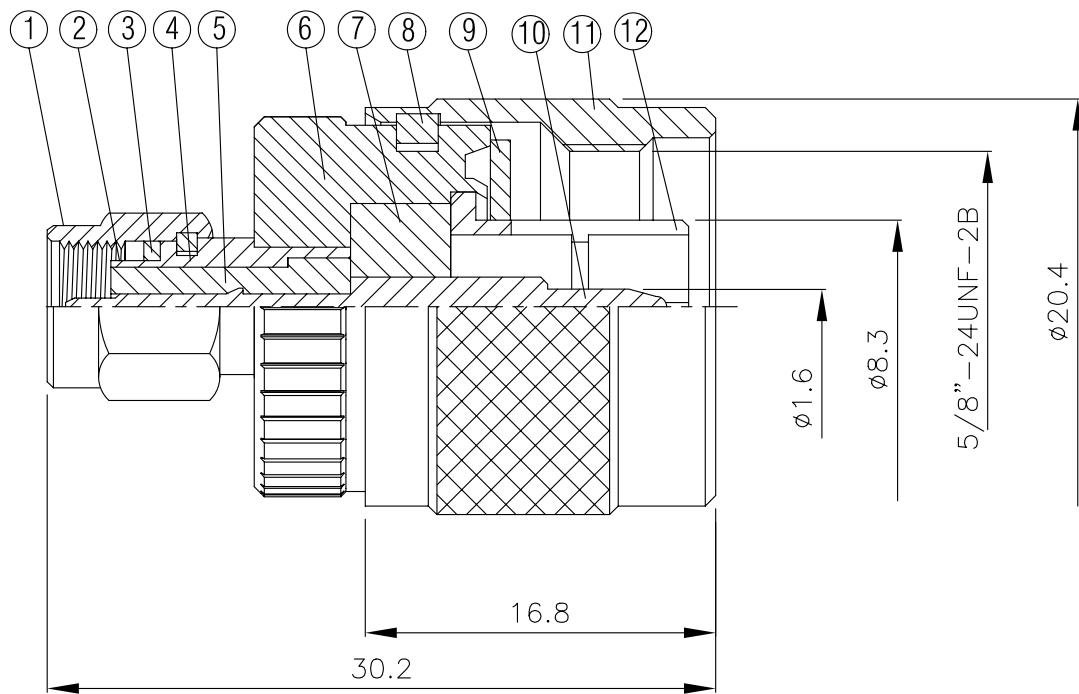
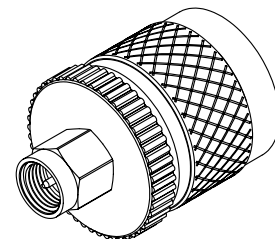


NO	DESCRIPTION	MATERIAL	Q'TY	FINISH	REMARK
1	BODY 1	BRASS	1	NICKEL	B-SMA0043-N
2	BODY 2	BRASS	1	NICKEL	B-SMA0154-N
3	RUBBER 1	SI RUBBER	1	RUBBER	RU-0008
4	WASHER	PH.BRONZE	1	NICKEL	W-0012
5	INSULATION	TEFLON	1	TEFLON	I-0306T
6	BODY 4	BRASS	1	NICKEL	B-N0651-N
7	INSULATION	TEFLON	1	TEFLON	I-0283T
8	WASHER	BRASS	1	NICKEL	W-0014
9	RUBBER 2	SI RUBBER	1	RUBBER	RU-0007
10	PIN	BRASS	1	GOLD	P-SMA0429-G
11	BODY 5	BRASS	1	NICKEL	B-N0032-N
12	BODY 6	BRASS	1	NICKEL	B-N0033-N



HUS-TSAN GROUP CO., LTD.

P.O. BOX 40-76. TAINAN. TAIWAN, R.O.C.

TITLE SMA MALE N MALE ADAPTOR

PART NO. SMA-17-TGN

DRAWING NO. SMA 17 TGN

DRAWN MARY DATE 96.03.29

CHECKED 蘇姿潔 DATE

Q.A. 馮健華 DATE

APPROVA 徐燦霖 DATE

REVISION DATE

DIMENSIONS ARE IN MILLIMETERS

UNLESS OTHERWISE SPECIFIED TOLERANCE

0.5-5=±0.2 120-315=±1

5-30=±0.4 315-1000=±1.6

30-120±0.6 1000-2000=±2.4

SCALE 4:1 SIZE A

REVISION

DESCRIPTION ENGINEER