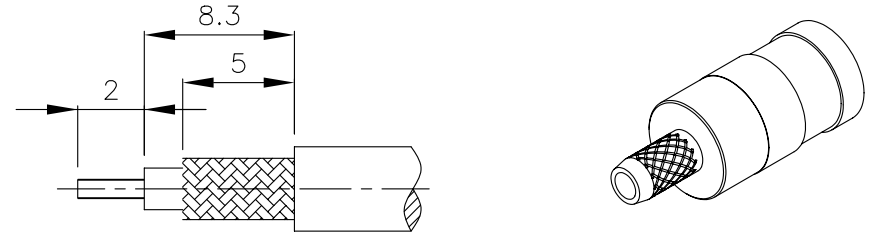
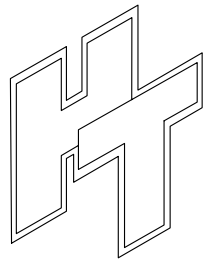
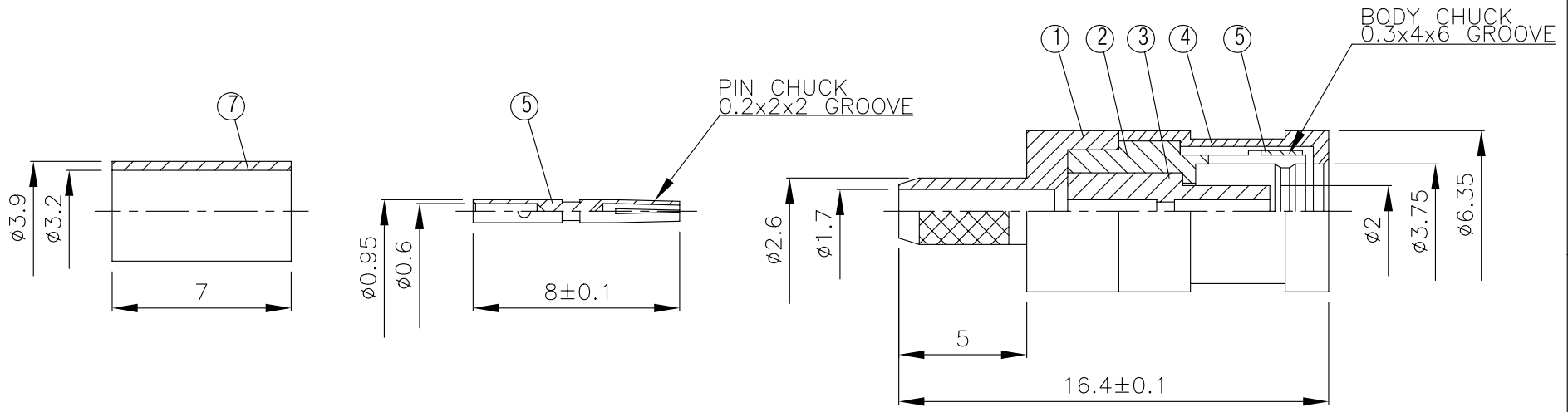


| NO | DESCRIPTION | MATERIAL | Q'TY | FINISH | REMARK |
|----|--------------|----------|------|--------|-------------|
| 1 | BODY 1 | BRASS | 1 | GOLD | B-SMB0246-G |
| 2 | BODY 2 | BRASS | 1 | GOLD | B-SMB0263-G |
| 3 | INSULATION 1 | TEFLON | 1 | TEFLON | I-0054T |
| 4 | BODY 3 | BRASS | 1 | GOLD | B-SMB0245-G |
| 5 | PIN | BE CU | 1 | GOLD | P-SMB0146-G |
| 6 | WASHER | BE CU | 1 | NICKEL | W-0035-G |
| 7 | RING | BRASS | 1 | GOLD | R-0001-G |



(Recommended Stripping Dimension)



HUS-TSAN GROUP CO., LTD.

P.O.BOX 40-76.TAINAN.TAIWAN,R.O.C.

TITLE SMB FEMALE CRIMP FOR RG316/U,174/U

PART NO. SMB-02LV1-TGG

DRAWING NO. SMB 02LV1 TGG

| | | | |
|----------|------|------|----------|
| DRAWN | MARY | DATE | 96.01.26 |
| CHECKED | 黃巧君 | DATE | |
| Q.A. | 蘇姿潔 | DATE | |
| APPROVAL | 徐燦霖 | DATE | |
| REVISION | | DATE | |

| | | | |
|--------------------------------------|----------------|------|---|
| DIMENSIONS ARE IN MILLIMETERS | | | |
| UNLESS OTHERWISE SPECIFIED TOLERANCE | | | |
| 0.5-5=±0.2 | 120-315=±1 | | |
| 5-30=±0.4 | 315-1000=±1.6 | | |
| 30-120±0.6 | 1000-2000=±2.4 | | |
| SCALE | 4:1 | SIZE | A |

| | |
|-------------|----------|
| REVISION | |
| DESCRIPTION | ENGINEER |
| | |
| | |