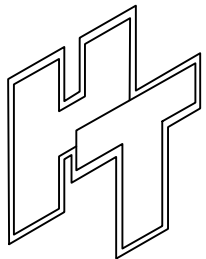
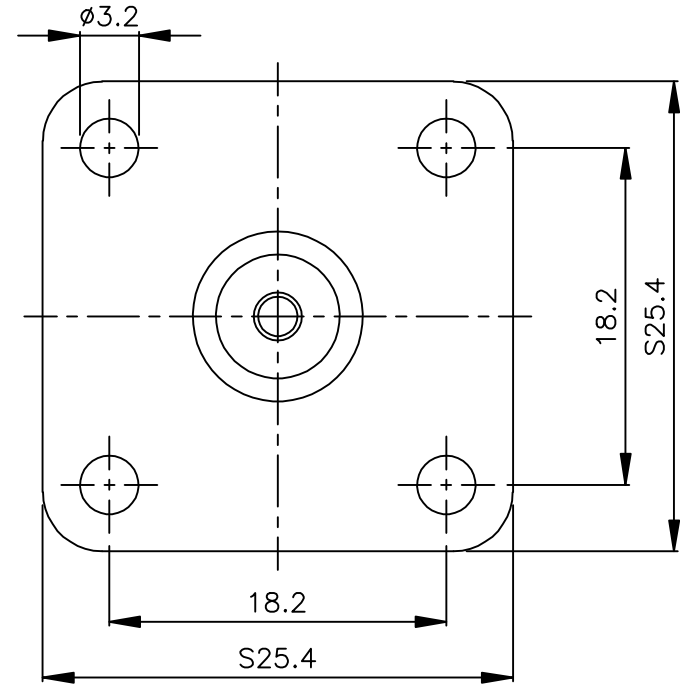
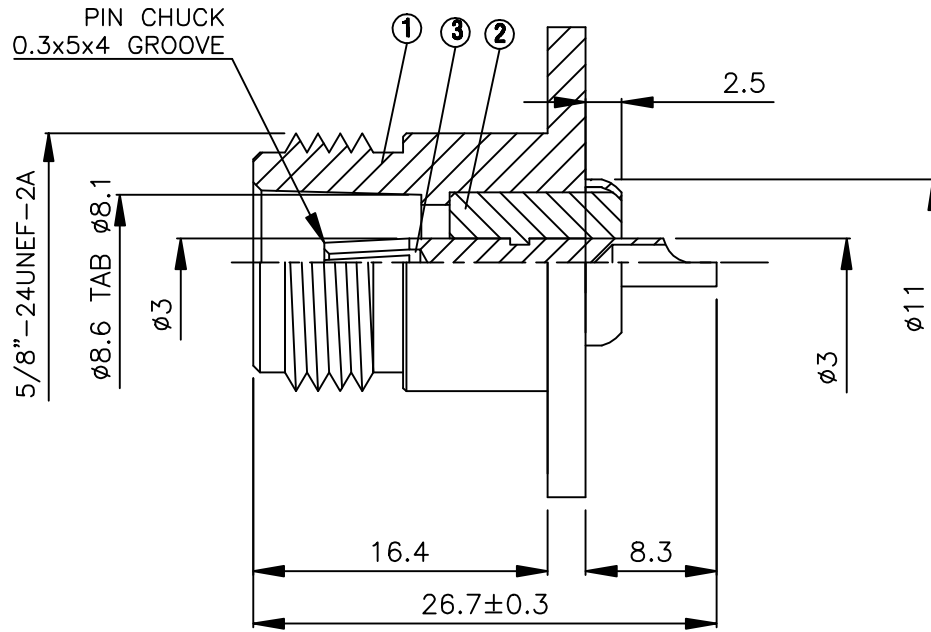
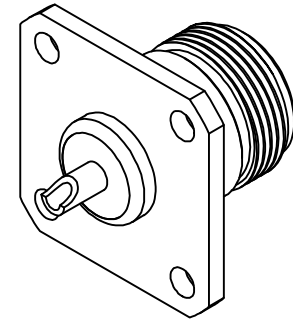


NO	DESCRIPTION	MATERIAL	Q'TY	FINISH	REMARK
1	BODY	BRASS	1	NICKEL	B-N0057-N
2	INSULATION	TEFLON	1	TEFLON	I-0123T
3	PIN	BRASS	1	GOLD	P-N0046-G



HUS-TSAN GROUP CO., LTD.
P.O. BOX 40-76. TAINAN. TAIWAN, R.O.C.

TITLE
N PANEL FEMALE RECEPTACLES

PART NO.
N-06-TGN

DRAWING NO. N 06 TGN

DRAWN MARY **DATE** 96.06.04

CHECKED 黄巧君 **DATE**

Q.A. 蘇姿潔 **DATE**

APPROVAL 徐燦霖 **DATE**

REVISION **DATE**

DIMENSIONS ARE IN MILLIMETERS

UNLESS OTHERWISE SPECIFIED TOLERANCE

0.5-5=±0.2 120-315=±1
5-30=±0.4 315-1000=±1.6
30-120±0.6 1000-2000=±2.4

SCALE 4:1 **SIZE** A

REVISION

DESCRIPTION **ENGINEER**

D

D

C

C

B

B

A

A

4

3

2

1