

MATERIAL & FINISH:

- 1. BODY: STAINLESS STEEL, PASSIVATED
- 2. CENTER CONTACT: BERYLLIUM COPPER ALLOY, GOLD PLATED
- 3. INSULATOR: PEI

ENVIRONMENTAL DATA:

- 1. STORAGE TEMPERATURE: -55°C~+125°C
- 2. OPERATING TEMPERATURE: 0°C~+85°C
- 3. 2011/65/EU (RoHS): COMPLIANT

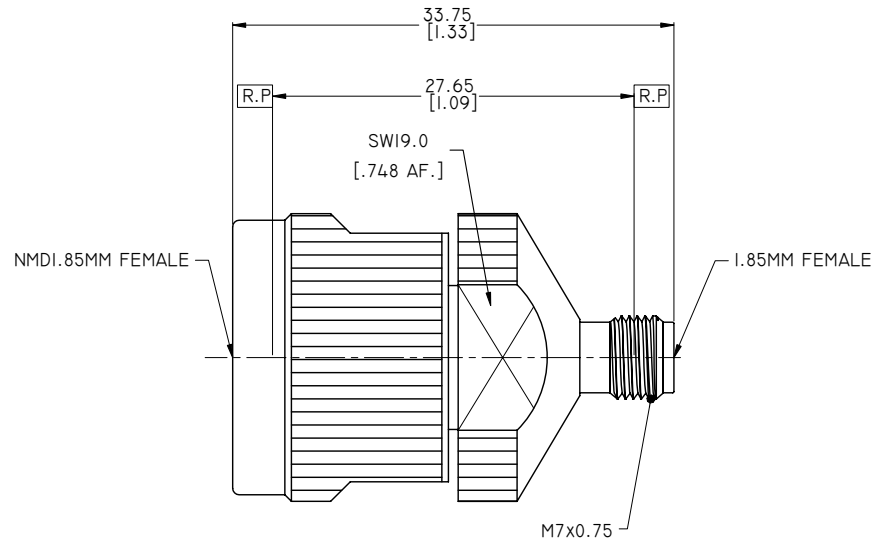
ELECTRICAL DATA:

- 1. IMPEDANCE: 50 Ω
- 2. FREQUENCY RANGE: DC~67 GHz
- 3. VSWR: 1.35 TYP.
- 4. INSERTION LOSS: 0.52 DB MAX.

MECHANICAL DATA:

- 1. MECHANICAL DURABILITY: 2000 CYCLES MIN.
- 2. RECOMMENDED TORQUE:
 - NMDI.85MM FEMALE: 1.35~2 NM
 - 1.85MM FEMALE: 0.9 NM

REVISIONS			
REV.	DESCRIPTION	DATE	APPROVED
A	INITIAL RELEASE	05/14/15	J. QU
B	DRAWING FORMAT CHANGED	09/12/17	J. QU



DRAWN	P. CHEN	DATE	09/12/17
CHECKED	X. B. YANG	DATE	09/12/17
APPROVED	J. QU	DATE	09/12/17



UNLESS OTHERWISE SPECIFIED DIMENSIONS ARE IN MILLIMETERS, DIMENSIONS IN [] ARE IN INCHES FOR CUSTOMER REFERENCE ONLY UNLESS OTHERWISE SPECIFIED TOLERANCE ARE:

.XX	±0.13 [0.005"]
.X	±0.20 [0.008"]
X	±0.50 [0.019"]
.X°	±1°
X°	±2°

THESE DRAWINGS AND SPECIFICATIONS ARE THE PROPERTY OF ANOISON ELECTRONICS LTD AND SHOULD NOT BE USED WITHOUT WRITTEN PERMISSION
 COPYRIGHT © 2017 ANOISON ELECTRONICS LTD

TITLE
 PRECISION ADAPTER, NMDI.85MM FEMALE TO 1.85MM FEMALE

VIEW	PART NO. PA6962C		
	SIZE A3	SCALE 2.5:1	SHEET 1/1
		REV. B	