

Diplexer for the 0 - 174 MHz and 223 - 960 MHz Ranges

DESCRIPTION

- Diplexer for combining or splitting the two ranges 0 - 174 MHz and 223 - 960 MHz.
- Excellent wide-band coverage.
- Very low ripple and insertion loss in the pass bands.
- Isolation better than 30 dB.
- Provided with N-connectors. (Other types on request)
- Aluminium profile box ensures extraordinary high mechanical strength.
- Black vinyl-coated to prevent corrosion.
- Provided with brackets for panel mounting.



SPECIFICATIONS

Electrical	
Model	PRO-DIPX 174/223-960-...
Frequency	Ant-low port : 0 - 174 MHz Ant-high port : 223 - 960 MHz
Type	Diplexer
Max. Input Power	50 W each port
Insertion Loss	< 0.5 dB
Impedance	50 Ω
Isolation	Low to high port : 30 dB
VSWR	< 1.5:1

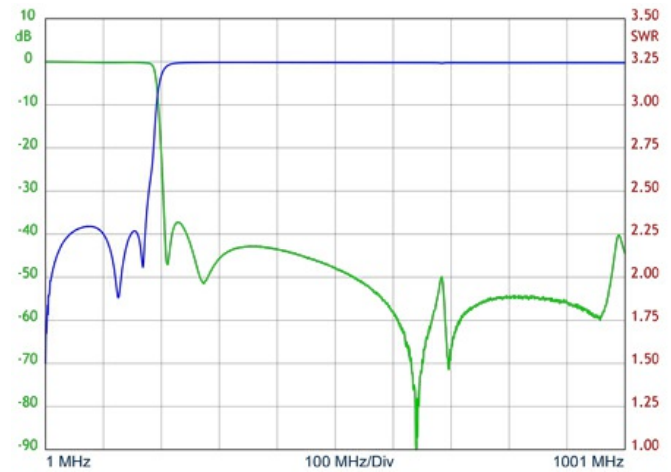
Mechanical	
Connection(s)	N(f)
Dimensions	107 x 89 x 30 mm / 4.21 x 3.50 x 1.18 in.
Weight	Approx. 0.35 kg / 0.77 lb.
Mounting	4.2 mm dia. (4 holes)

Environmental	
Operating temperature range	-30 °C to +60 °C
Ingress Protection	IP64

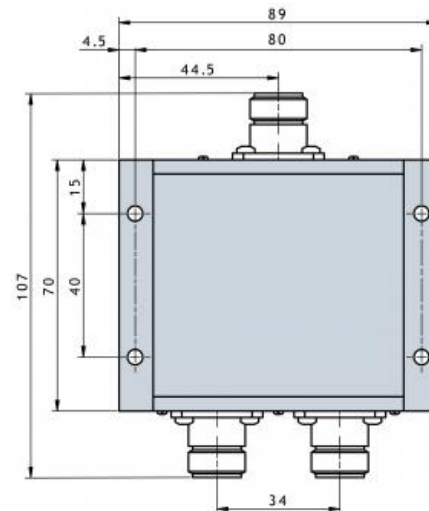
ORDERING

Model	Product No.
PRO-DIPX 174/223-960-N	200001848

TYPICAL RESPONSE CURVE



MOUNTING DETAILS



All dimensions are given in mm.

