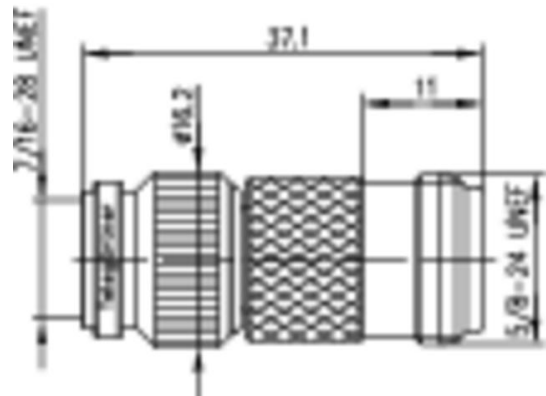
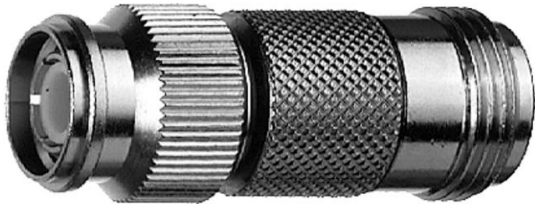


order number: J01019A0008

TNC to N m-f



Technical Attributes	
Type	TNC (m)/N (f)
Max. Frequency	6 GHz
Return Loss	31dB/1GHz; 28dB/3GHz; 23dB/6GHz
Life	min. 500
Z	$\Omega$
Series	
Finish	
Mount. dim.	