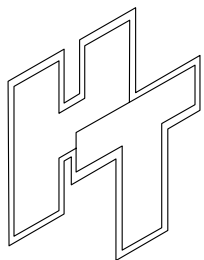
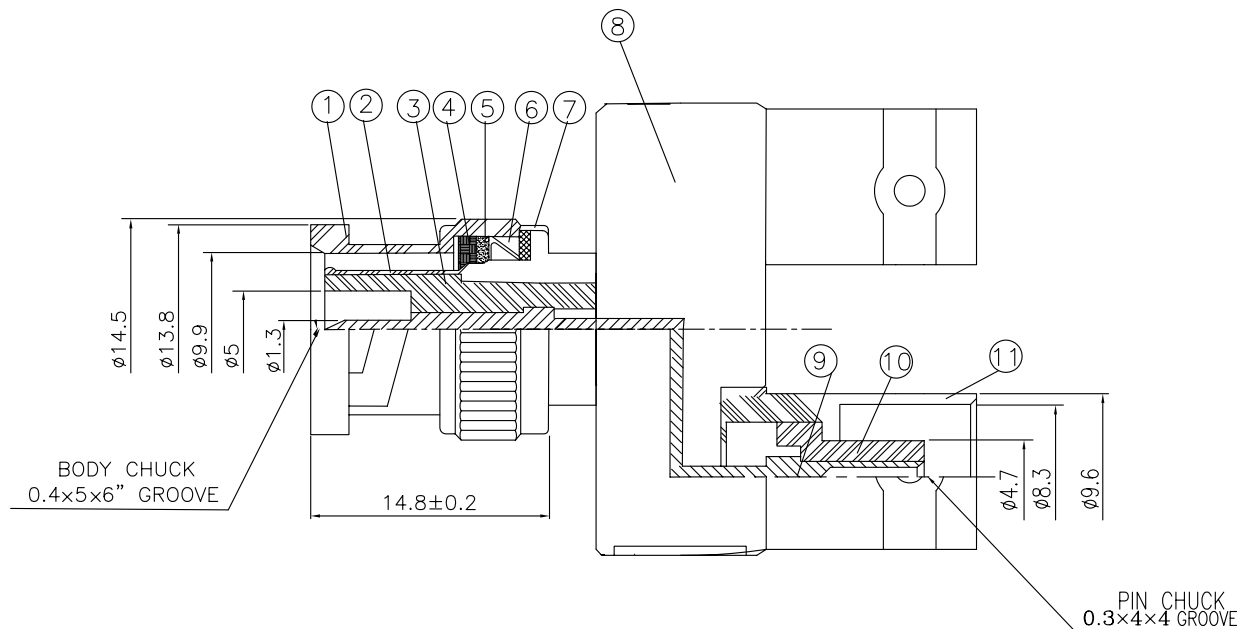
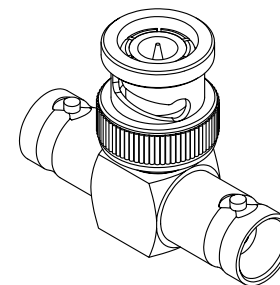


NO	DESCRIPTION	MATERIAL	Q'TY	FINISH
1	SHELL	BRASS	1	NICKEL
2	BODY I	BRASS	1	NICKEL
3	INSULATION	DELTRIN	1	DELTRIN
4	GASKET	RUBBER	1	RUBBER
5	WASHER	BRASS	1	NICKEL
6	SPRING	SK-5	1	NICKEL
7	WASHER	BRASS	1	NICKEL
8	BODY II	BRASS	1	NICKEL
9	PIN	BRASS	2	GOLD
10	INSULATION	DELTRIN	2	DELTRIN
11	BODY III	BRASS	2	NICKEL



HUS-TSAN GROUP CO., LTD.

P.O. BOX 40-76. TAINAN. TAIWAN, R.O.C.

TITLE
BNC DOUBLE FEMALE-MALE

PART NO.
BNC-42-DGN

DRAWING NO. BNC 42 DGN

DRAWN MARY DATE 96.06.18

CHECKED 蘇志欣 DATE

Q.A. 蘇姿潔 DATE

APPROVAL 徐燦霖 DATE

REVISION DATE

DIMENSIONS ARE IN MILLIMETERS

UNLESS OTHERWISE SPECIFIED TOLERANCE

0.5-5 = ± 0.2 120-315 = ± 1
 5-30 = ± 0.4 315-1000 = ± 1.6
 30-120 = ± 0.6 1000-2000 = ± 2.4

SCALE 3:1 SIZE A

REVISION

DESCRIPTION ENGINEER

D

C

B

A

D

C

B

A

4

3

2

1