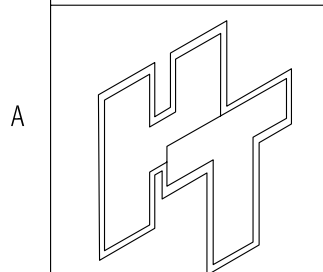
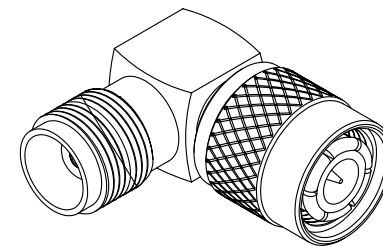
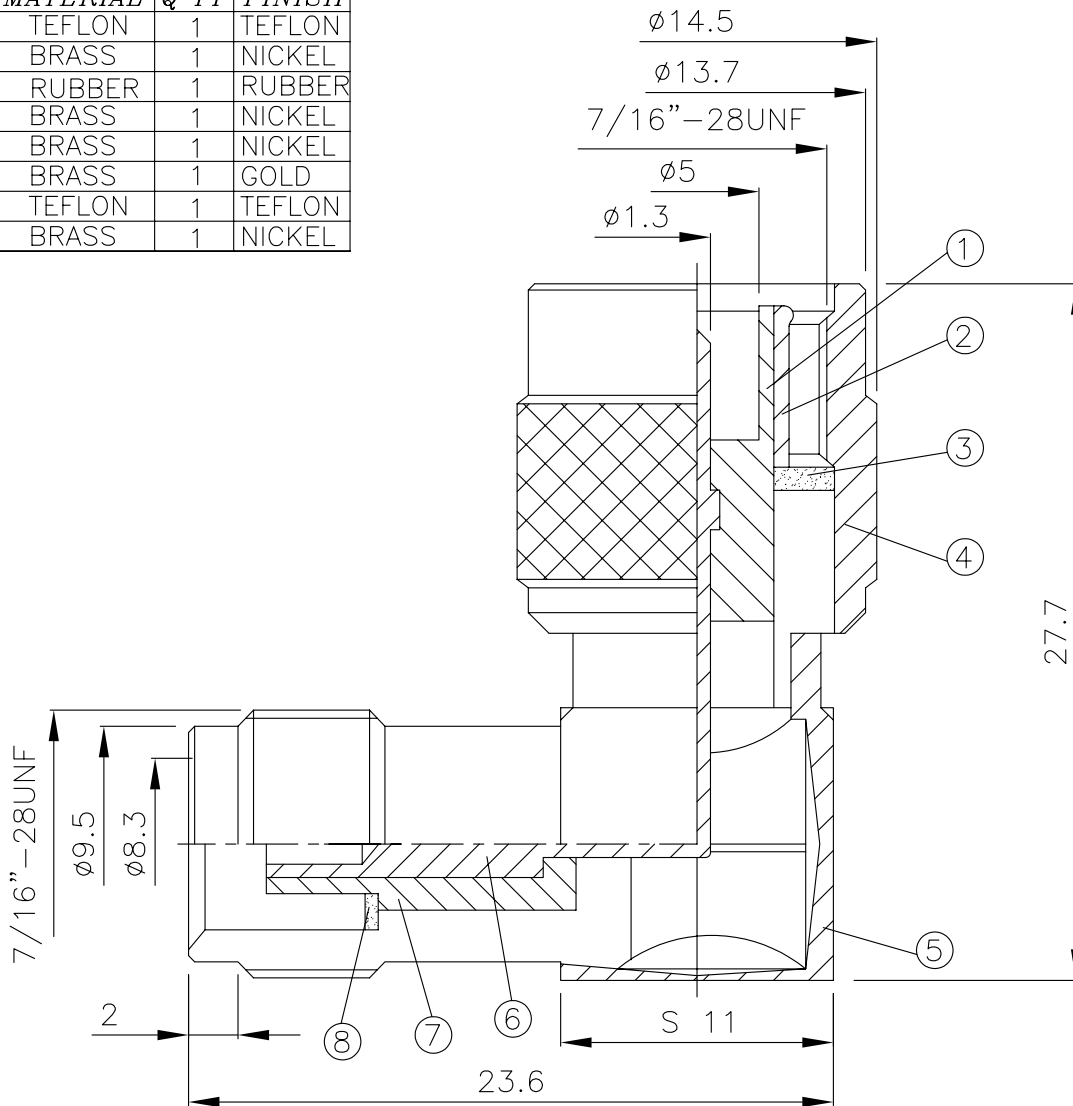


NO	DESCRIPTION	MATERIAL	Q'TY	FINISH
1	INSULATION	TEFLON	1	TEFLON
2	BODY 1	BRASS	1	NICKEL
3	GASKET	RUBBER	1	RUBBER
4	SHELL	BRASS	1	NICKEL
5	BODY 2	BRASS	1	NICKEL
6	PIN	BRASS	1	GOLD
7	INSULATION	TEFLON	1	TEFLON
8	WASHER	BRASS	1	NICKEL



HUS-TSAN GROUP CO., LTD.
P.O.BOX 40-76.TAINAN.TAIWAN.R.O.C.

TITLE
TNC ANGLE MALE-FEMALE

PART NO.
TNC-22-TGN

DRAWING NO. **TNC 22 TGN**

DRAWN MARY DATE 96.07.11

CHECKED 蘇志欣 DATE

Q.A. 蘇姿潔 DATE

APPROVAL 徐燦霖 DATE

REVISION DATE

DIMENSIONS ARE IN MILLIMETERS

UNLESS OTHERWISE SPECIFIED TOLERANCE

0.5-5=±0.2	120-315=±1
5-30=±0.4	315-1000=±1.6
30-120=±0.6	1000-2000=±2.4

SCALE 3:1 SIZE A

REVISION	
DESCRIPTION	ENGINEER