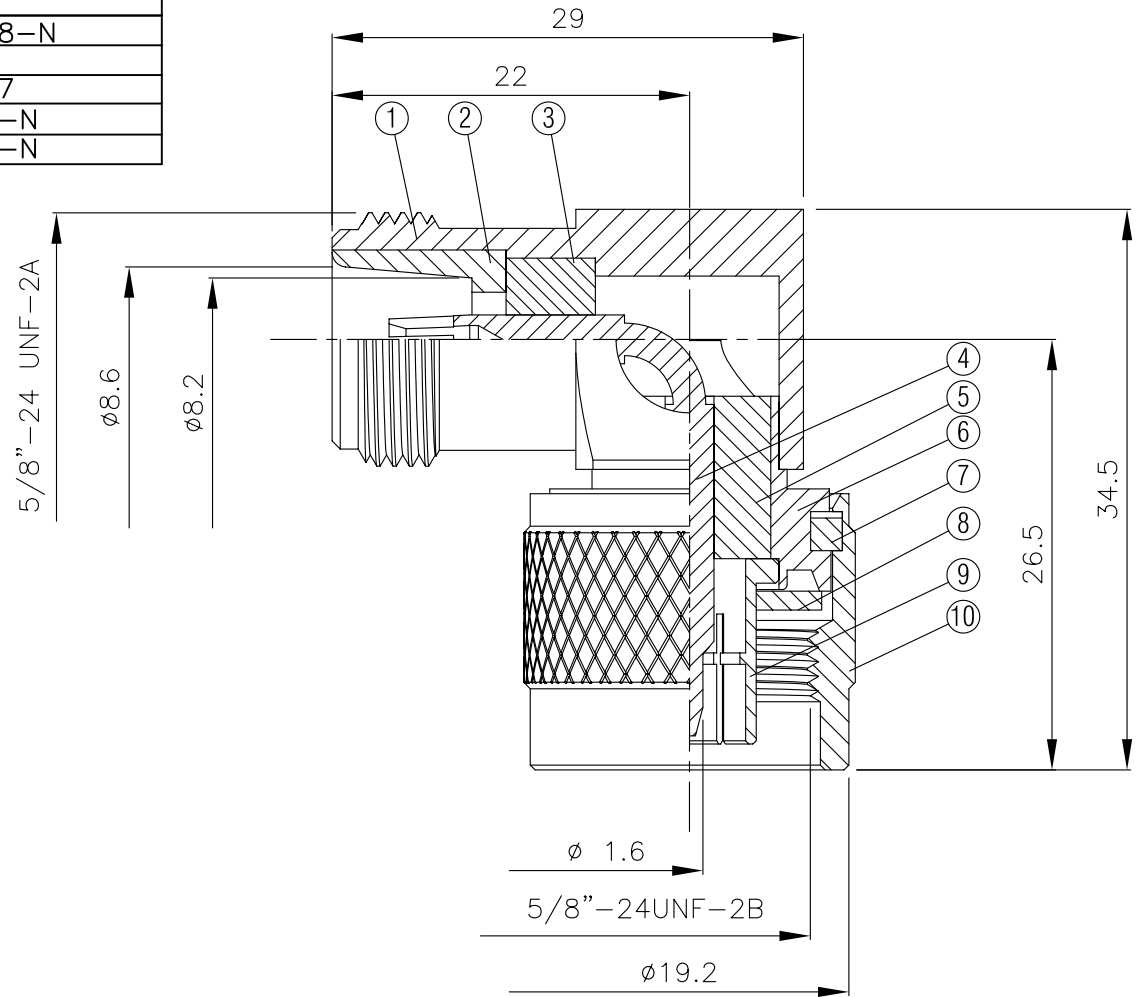
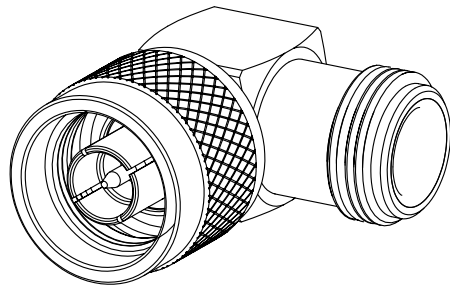


NO	DESCRIPTION	MATERIAL	Q'TY	FINISH	REMARK
1	BODY 1	BRASS	1	NICKEL	B-N0656-N
2	BODY 2	BRASS	1	NICKEL	B-N0320-N
3	INSULATION 1	TEFLON	1	TEFLON	I-0312T
4	PIN	BRASS	1	GOLD	P-N0439-G
5	INSULATION 2	TEFLON	1	TEFLON	I-0313T
6	BODY 3	BRASS	1	NICKEL	B-N0498-N
7	WASHER	PH.BRONZE	1	NICKEL	W-0014
8	GASKET	SI RUBBER	1	RUBBER	RU-0017
9	BODY 4	BRASS	1	NICKEL	N-0032-N
10	BODY 5	BRASS	1	NICKEL	N-0033-N



	HUS-TSAN GROUP CO., LTD. P.O. BOX 40-76. TAINAN. TAIWAN, R.O.C.		DRAWN MARY DATE 96.06.04	DIMENSIONS ARE IN MILLIMETERS		REVISION	
	TITLE N RIGHT ANGLE FEMALE - MALE ADAPTOR		CHECKED 蘇志欣 DATE	UNLESS OTHERWISE SPECIFIED TOLERANCE		DESCRIPTION	ENGINEER
	PART NO. N-11-TGN		Q.A. 蘇姿潔 DATE	0.5-5=±0.2 120-315=±1 5-30=±0.4 315-1000=±1.6 30-120±0.6 1000-2000=±2.4			
	DRAWING NO. N 11 TGN		APPROVAL 徐燦霖 DATE	SCALE 4:1 SIZE A			
			REVISION DATE				