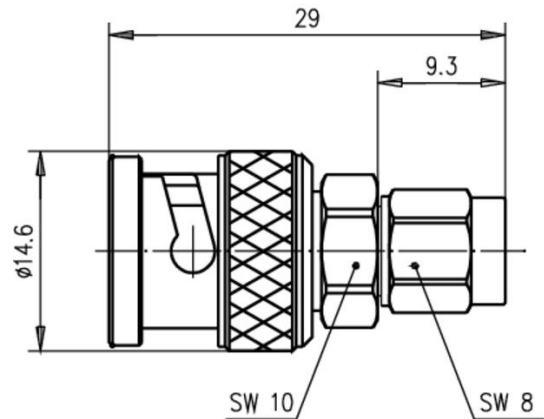


order number: J01008A0018

BNC to SMA m-m, r



Technical Attributes	
Type	BNC (m)/SMA (m)
Max. Frequency	4 GHz
Return Loss	33dB/1GHz; 27dB/2GHz; 24dB/4GHz
Life	min. 500
Z	Ω
Series	
Finish	
Mount. dim.	