



RSB -Clip with clamp lining for SCF12 cable

FEATURES / BENEFITS

The RSB-Clip is designed for the installation of feeder cables from sizes 1/4" up to 1-5/8". The clip is a universal clamp device and can be used in many mounting configuration. The RSB-Clip is made of stainless steel. The hanger is resistant against all environmental influences. Due to the mechanical construction, a cable deformation is impossible. Therefore, a deterioration of the electrical properties is avoided.



Technical features

GENERAL SPECIFICATIONS

Product Line		Coaxial Cable Accessories Hybrid Cable Accessories
Product Type		Hanger
Hanger Type		RSB-Clip (incl. clamp lining)
Transmission Line Type		SCF12
Cable Type		Superflexible Coaxial Foam Dielectric Ultraflexible Coaxial Foam Dielectric

MECHANICAL SPECIFICATIONS

Cable Size		1/2
Number of Cable / Waveguide Runs		1
Material		Clamp: Stainless steel Clamp lining: EPDM rubber
Drill Hole Size	mm (in)	8 (0.315)

ACCESSORIES

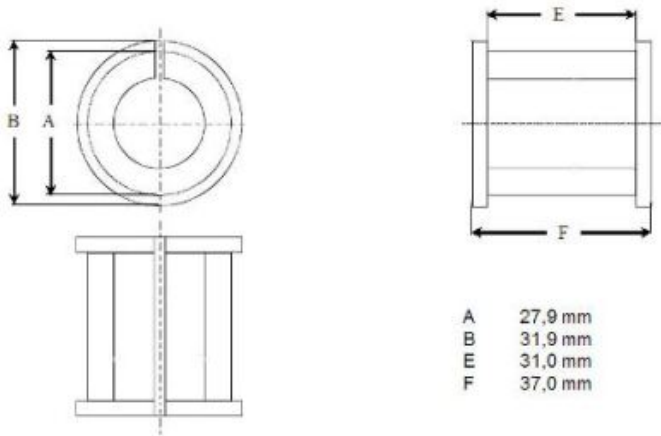
Spare Part / Useful Accessories		Cleat : RSB-310 Anchor bar fixation : RSB-315
--	--	--

TEMPERATURE SPECIFICATIONS

Operation Temperature	°C (°F)	-50 to 85 (-58 to 185)
Storage Temperature	°C (°F)	-50 to 85 (-58 to 185)

PACKAGING INFORMATION

Package Quantity		10
Weight per piece	kg (lb)	0.038 (0.082)
Weight per kit	kg (lb)	0.38 (0.82)



Technical Drawing

External Document Links

[Installation Instruction](#)

[Application Note RSB Clip](#)

Notes