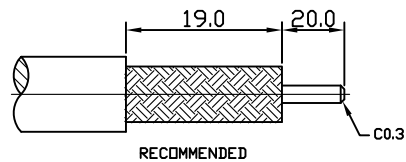
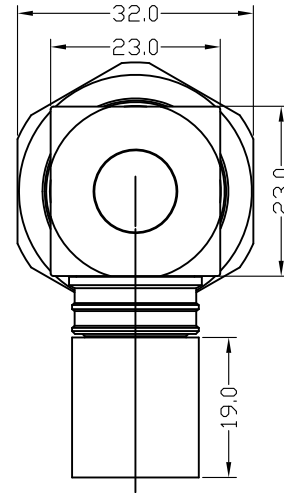
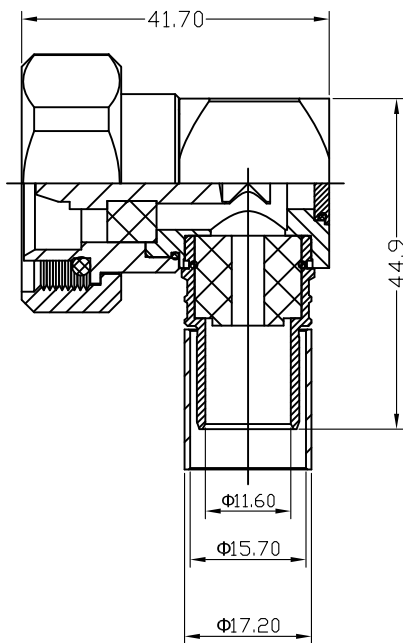


NOTICE OF PROPRIETARY RIGHTS THIS DOCUMENT CONTAINS CONFIDENTIAL TECHNICAL DATA, INCLUDING TRADE SECRETS, PROPRIETARY TO TIMES MICROWAVE SYSTEMS. DISCLOSURE OF THIS DATA IS EXPRESSLY CONDITIONED UPON YOUR ASSENT THAT ITS USE IS LIMITED TO USE WITHIN YOUR COMPANY ONLY. ANY OTHER USE IS STRICTLY PROHIBITED WITHOUT THE PRIOR WRITTEN CONSENT OF TIMES MICROWAVE SYSTEMS.

SYM	REVISION DESCRIPTION	DFTM	DATE	APPD	DATE
A	RELEASED FOR PRODUCTION	K.A.M.	10/14/10	J.D.B.	10/18/10
B	CHANGED PER CDC #37110	N.N.N.	2/21/13	J.D.B.	2/21/13



MATERIALS AND PLATING		
BODY,SHELL	BRASS PER C3604	copper-tin-zinc 150micro inches
CONTACT PIN	Spring Copper	Ag 200 micro inches
INSULATOR	TEFLON MIL-P-19468	
FERRULE	Copper	copper-tin-zinc 150micro inches
GASKET	SILICONE	RED OR BLACK

ELECTRICAL CHARACTERISTICS	
Impedance	50 Ω
Voltage rating	500V(rms)
Frequency range	0~3GHz
Dielectric withstanding voltage	2500V
Contact resistance	Center contact: ≤0.8mΩ Outer contact)≤0.2mΩ
Insulation resistance	≥10000MΩ
Insertion loss	According as the cable
RF- leakage	N/A
VSWR	≤1.15 (DC-3GHz)
3rd Intermodulation	---

(MECHANICAL CHARACTERISTICS)	
Force to engage and disengage	5 N MAX.
Center contact retention force	N/A
Coupling nut retention force	500 N MAX.
Durability	≥ 500 cycles
Cable retention force	500 N MAX.

ENVIRONMENTAL CHARACTERISTICS	
Temperature range	-55°C- +155°C
Thermal shock	US MIL- STD 202, Meth. 107, Cond. B
Vibration	US MIL- STD 202, Meth. 204, Cond. B
Shock	US MIL- STD 202, Meth. 213, Cond. I
Climatic class	IEC 60068 65/165/21

NOTICE: ALL PARTS MUST MEET TO ROHS REQUIREMENTS

MATL:	UNLESS OTHERWISE SPECIFIED	DFTM. K. A. M.	TIMES MICROWAVE SYSTEMS				
	ALL DIMENSIONS ARE IN mm	DATE 10/14/10					
USED ON:	TOLERANCES: .X = ±0.2 .XX = ±0.1	CHKD. J. D. B.		CONNECTOR, TC-600-716M-RA-D			
		DATE 10/18/10		7/16 MALE, 90°			
		APPD. J. D. B.		FOR LMR600 CABLE			
SCALE: ~	DWG. SIZE A	DO NOT SCALE DRAWING	CODE IDENT 68999	DATE 10/18/10	SHEET 1 of 1	SD3190-2599	REV B