

MATERIAL & FINISH:

- 1 BODY: BRASS, ALBALOY PLATED
- 2 CENTER CONTACT: BERYLLIUM COPPER ALLOY, SILVER PLATED
- 3 VA0: COUPLING NUT: BRASS, ALBALOY PLATED
- 4 RETAINING RING: PHOSPHOR BRONZE, UNPLATED
- 5 INSULATOR: PTFE & PEI
- 6 GASKET: SILICONE RUBBER

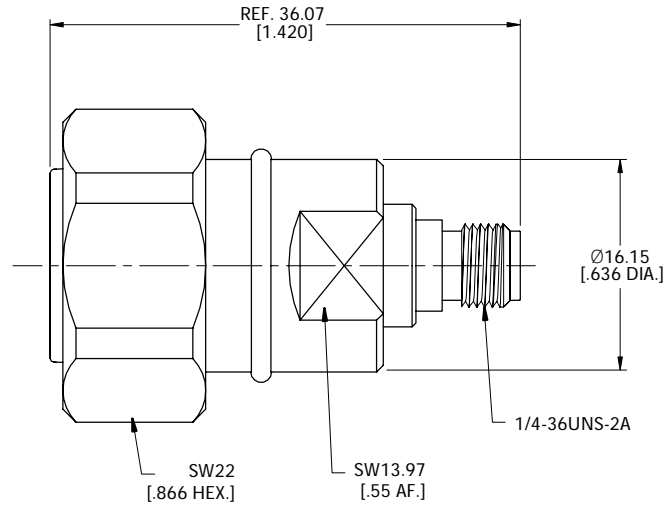
ELECTRICAL DATA:

- 1 IMPEDANCE: 50 Ω
- 2 FREQUENCY RANGE: DC~6 GHz
- 3 VSWR: 1.20 MAX.
- 4 PIM3: < -160 DBC(2X43 DBM) AT 0.4~4 GHZ

ENVIRONMENTAL DATA:

- 1 TEMPERATURE RANGE: -55°C ~ +125°C
- 2 2011/65/EU(RoHS) AND 2015/863/(RoHS): COMPLIANT
- 3 1907/2006/EC(REACH): COMPLIANT

REVISIONS			
REV.	DESCRIPTION	DATE	APPROVED
A	INITIAL RELEASE	12/01/20	J. QU



DRAWN	X. B. YANG	DATE	12/01/20
CHECKED	W. YANG	DATE	12/01/20
APPROVED	J. QU	DATE	12/01/20

UNLESS OTHERWISE SPECIFIED DIMENSIONS ARE IN MILLIMETERS. DIMENSIONS IN [] ARE IN INCHES FOR CUSTOMER REFERENCE ONLY UNLESS OTHERWISE SPECIFIED TOLERANCE ARE:

.XX	±0.13 [005"]
.X	±0.20 [008"]
X	±0.50 [019"]
.X°	±1°
X°	±2°

THESE DRAWINGS AND SPECIFICATIONS ARE THE PROPERTY OF ANOISON ELECTRONICS LTD AND SHOULD NOT BE USED WITHOUT WRITTEN PERMISSION COPYRIGHT © 2020 ANOISON ELECTRONICS LTD



TITLE			
ADAPTER, 4.3-10 MALE TO SMA FEMALE			
VIEW		PART NO.	
		ANO 471-212-1552	
SIZE	SCALE	SHEET	REV.
A3	2.5:1	1/1	A