

REVISIONS				
ZONE	REV	DESCRIPTION	DATE	APPROVED

SPECIFICATIONS

Frequency Range: DC to 12.4 GHz
 Common dB Values: 0-6, 7-12, 20, 30 & 40dB
 Attenuation Accuracy from DC-12.4GHz

0 to 6dB ±0.3dB
 7 to 20dB ±0.5dB
 21 to 30dB ±.7dB

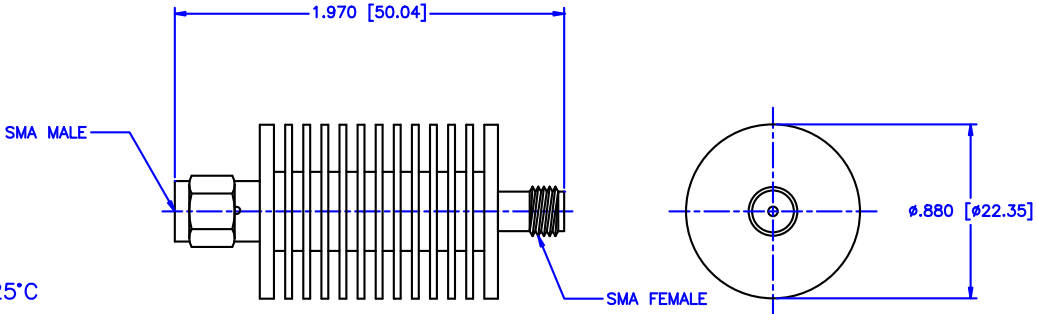
VSWR (DC-4 GHz): 1.15:1 Max.
 VSWR (4-12.4 GHz): 1.25:1 Max.

Input Power: 10Watts Average
 Derated Linearly from +25°C to 10% at +125°C
 Peak Power: 500 Watts Max.
 5uS Pluse With, 0.2% Duty Cycle

Operating Temperature: -65°C to +125°C
 Impedance: 50 ohms

Mechanical

SMA Connectors: Passivated Stainless Steel
 Conductors: Gold Plated Beryllium Copper
 Housing: Anodized Aluminum



MATERIAL:			MICROWAVE COMMUNICATIONS LABORATORIES INC. 7255 30TH AVE. N. SAINT PETERSBURG, FL 33710 TEL: (727) 344-6254 FAX: (727) 381-6116 http://WWW.MCLI.COM		SCALE:	N/A			
UNLESS OTHERWISE SPECIFIED: TOLERANCES IN (INCHES) OR [mm] (MILLIMETERS) FRACTIONS: ± 1/64 DECIMALS: ±.01 ±.005 ANGLE: ±1/2°			DRAWING TITLE:		10 WATTS ATTENUATOR, TYPE SMA				
DRAWN:		DATE:		PART NO.		FAS-10-dB			
Paiboon Luekhamhan 02-08-2012		T. Nguyen 02-08-2012		CAGE CODE:		SIZE:	REV:	DWG NO.	
APPROVED:		THIRD ANGLE PROJECTION		0D2L5		A		A	83809
				DO NOT SCALE THE DRAWING					