



Clamp lining for SCF12 cable (usable in combination with RSB-78)

FEATURES / BENEFITS

The clamp lining has been designed to be used in combination with the RSB-Clip RSB-78. The use of the clamp lining in combination with RSB-Clip prevents SCF12-50 Jumper cables against damage e.g. due to cable movement by wind, therefore a deterioration of the electrical properties is avoided.



Technical features

GENERAL SPECIFICATIONS

Product Line		Coaxial Cable Accessories Hybrid Cable Accessories
Product Type		Clamp Lining
Transmission Line Type		SCF12
Cable Type		Superflexible Coaxial Foam Dielectric

MECHANICAL SPECIFICATIONS

Cable Size		1/2
Number of Cable / Waveguide Runs		1
Material		EPDM rubber

ACCESSORIES

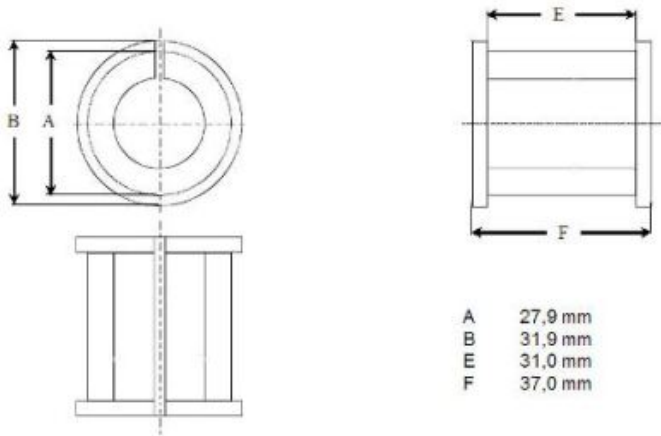
Spare Part / Useful Accessories		RSB-Cleat : RSB-78 Cleat : RSB-310 Anchor bar fixation : RSB-315
---------------------------------	--	--

TEMPERATURE SPECIFICATIONS

Operation Temperature	°C (°F)	-50 to 85 (-58 to 185)
Storage Temperature	°C (°F)	-50 to 85 (-58 to 185)

PACKAGING INFORMATION

Package Quantity		10
Weight per piece	kg (lb)	0.019 (0.041)
Weight per kit	kg (lb)	0.19 (0.41)



Technical Drawing

External Document Links

[Installation Instruction](#)

[Installation Instruction for Jumper with RSB-S12/78](#)

Notes

Only usable in combination with RSB-78