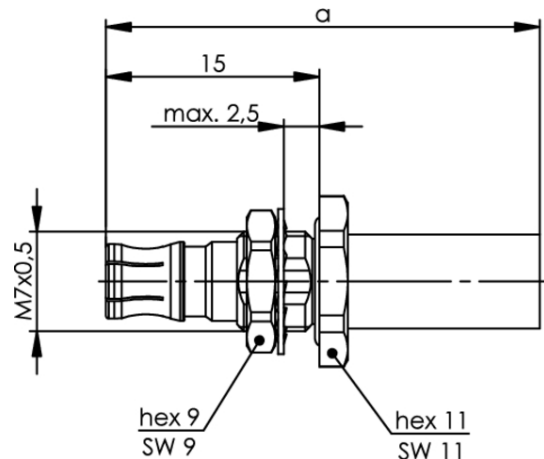


order number: J01421A0075

QLS Bulkhead Jack Crimp G1 (RG-58C/U); Telealloy; solder/crimp



Technical Attributes	
Cable group; cable	G1 (RG-58C/U) HPF 195 WCX195 RG-58C/U 9907 7806A LMR-195 KX 15 CNT-195
Remarks	solder/crimp
Finish	Telealloy (white bronze)
Dimensions	a=30
Mount. dim.	Z27
Assembly	C4405
Crimp die	N01003A0005

Product description

The QLS® series (Quick Lock Standard) is a secure and reliable alternative to standard SMA connectors. The patented locking mechanism of the QLS® series gives it the distinct advantage of a time-saving connection without the need for tooling. This locking mechanism also guarantees an extremely high butt contact force on the outer conductor, which is normally only achieved with a threaded coupling mechanism. This high contact

force results in excellent coupling reliability, even under mechanical stress such as vibration or due to the attached cable being pulled. The QLS® connectors are 100% compatible with QMA connectors.

Mechanical Characteristics	
Durability (mating cycles)	≥ 200
Insertion force	30 N typ.
Disengagement	20 N typ.
Material: outer conductor	CuZn39Pb3
Material: inner conductor	CuZn39Pb3
Material: spring contacts	CuBe2
Material: gaskets	silicone
Material: insulators	PTFE PTFE
Material: crimp ferrule	Cu/CuZn39Pb3
Finish: Inner conductor	Cu1Ni2Au0.8
Finish: Outer conductor	NiP-Au / CuSnZn3 (Telealloy)
Finish: Other metal parts	CuSnZn3 (Telealloy), stainless steel

Climatic Characteristics	
Climatic category acc. to IEC 60068 - 1	40/85/21

Electrical Characteristics	
Contact resistance inner conductor	≤ 3 mΩ
Contact resistance outer conductor	≤ 2.5 mΩ
Insulation resistance	≥ 5 GΩ
Voltage proof	1 kVeff/50 Hz
Impedance	50 Ω
Working voltage	≤ 500 Veff/50 Hz
Frequency range up to	6 GHz (18 GHz)

Note

QLS® is a registered trademark of the partners of the QLS® alliance.