



## Coaxial Adapter 7-16 female - N male

**Product Description**

Coaxial Adapter, 7-16 Female/N Male

**Features/Benefits****Technical Specifications**

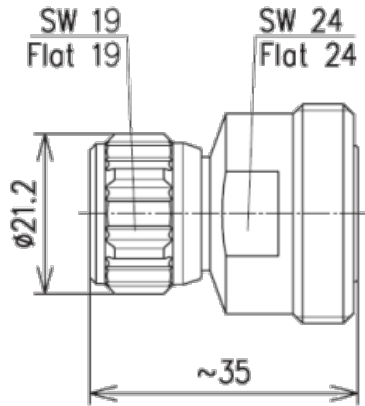
Product Line	Coaxial Cable Components
Product Type	Coaxial Adapter
Coaxial Cable Type	Foam Dielectric Ultraflexible Foam Dielectric Radiating Cable
Frequency Range - MHz	DC - 8000
Minimum Return Loss, VSWR (dB)	0-2000 MHz: 1.02 (40) 2000-2700 MHz: 1.04 (34) 2700-3700 MHz: 1.06 (30.5)
Insertion Loss, dB (Max)	0.02
3rd Order IM Product @ 2x20 Watts, dBc	< -165
Connector A	7-16 DIN Female
Center Contact Connector A	Spring Bronze, silver plated
Outer Contact Connector A	Brass, silver plated
Connector B	N Male
Center Contact Connector B	Brass, silver plated
Outer Contact Connector B	Brass, silver plated
Body	copper alloy, nickel plated
Dielectric	PTFE
Gasket	Silicone rubber
Sealing class	IP68, connected
Operation Temperature, °C(°F)	-45 to 85 (-49 to 185)
Package Quantity	1

**Notes****Other Documentation**

All information contained in the present datasheet is subject to confirmation at time of ordering



Coaxial Adapter 7-16 female - N male



All information contained in the present datasheet is subject to confirmation at time of ordering