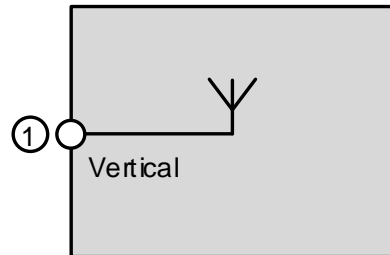


Ceiling mount V-Pol Omni Antenna, 694MHz-6000MHz



not binding

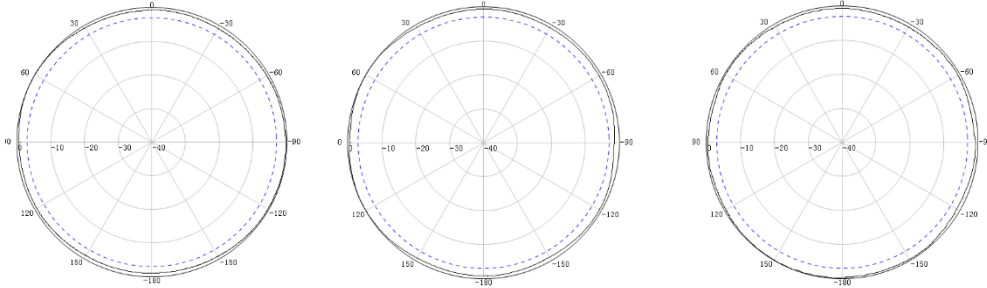


block diagram

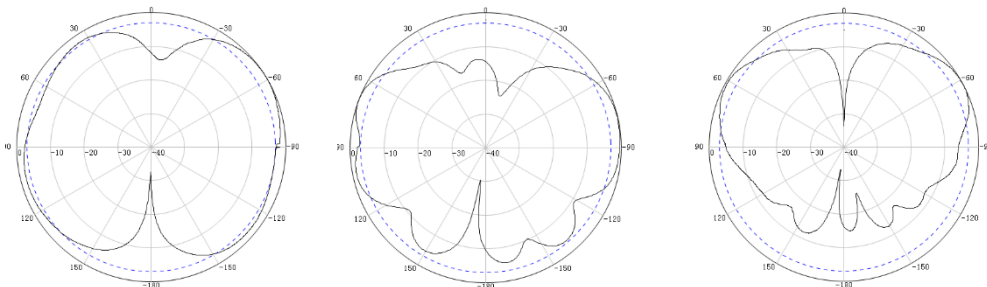
Part number		BN A77145									
Connector		4.3-10 female (50 Ω)									
Frequency range, [MHz]		694-806	860-960	1427-1880	1880-1990	1990-2180	2305-2360	2360-2700	2700-3200	3200-5100	5100-6000
Gain, [dBi]		2.0	2.2	3.5	4.1	4.2	4.3	4.4	4.3	4.5	4.5
Polarization		Vertical									
Beam width, [deg]	Horizontal	360									
	Vertical	95	90	60	56	54	50	43	40	35	30
VSWR		≤1.8	≤1.5	≤1.5	≤1.5	≤1.5	≤1.5	≤1.5	≤1.8	≤1.8	≤1.8
Intermodulation (IM3) @ 2x 20 W, [dBc]		≤ -153									
Input power, [W]		max. 50									
Degree of protection		Indoor / IP54									
Weight, [kg]		0.51									
Radome Material and Color		ABS, White, RAL9003									
Temperature range, [°C]		-55 – +60									
Dimensions, [mm]		Ø203 x 115									
Operational Humidity		<95%									
RoHS		Compliant									
Flammability rating		UL 94-V0									
Mounting Kit		Ceiling via hole (standard)									

**Radiation pattern:**

**Horizontal pattern**



**Vertical pattern**

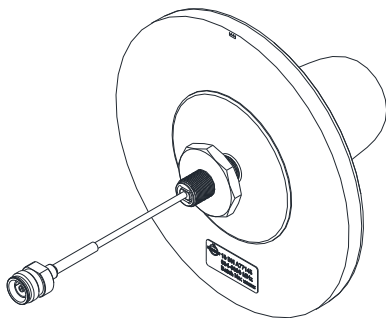
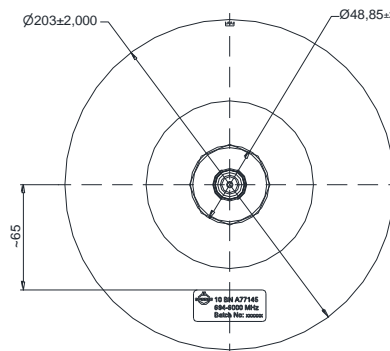
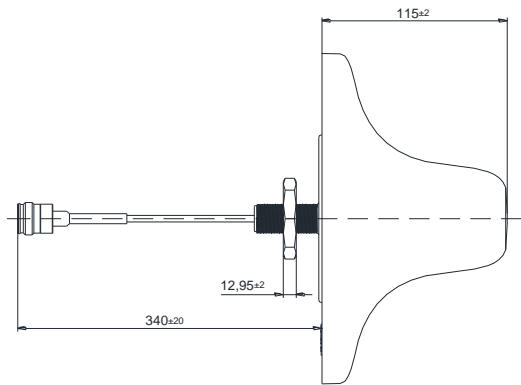


900MHz

1710MHz

2500MHz

**Dimensions and mounting:**



**Standard:**

4.3-10 female (50 ohms); IEC 61169-54

Subject to change without notice