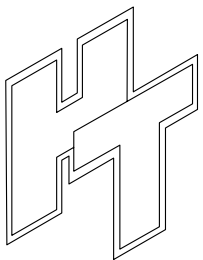
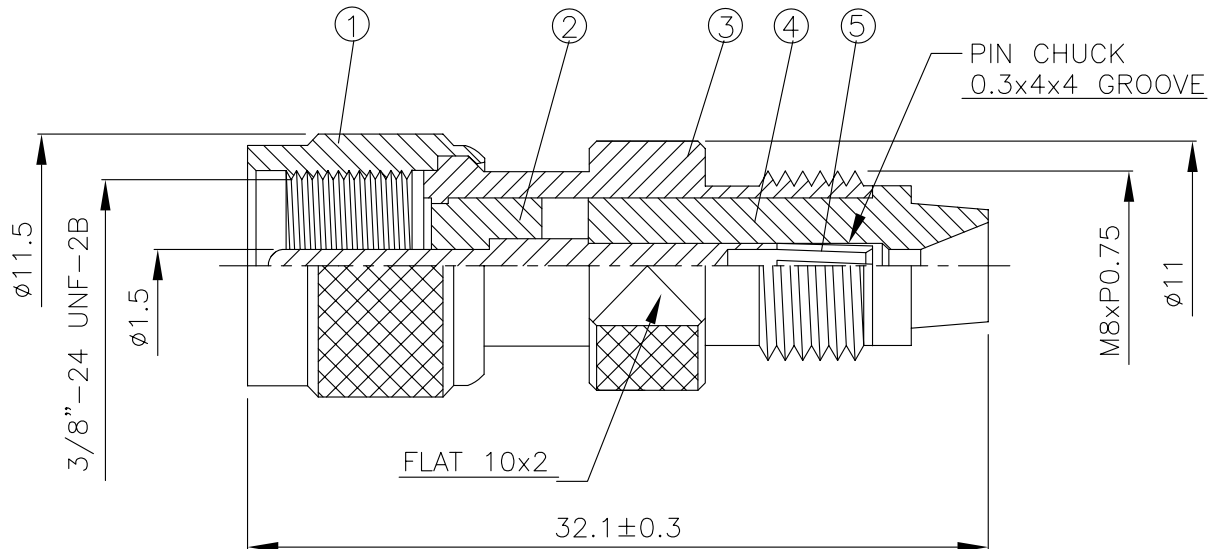
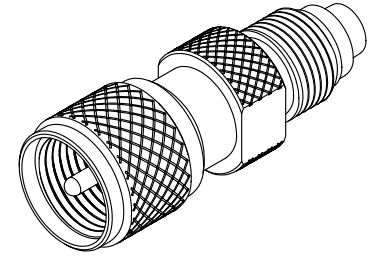


NO	DESCRIPTION	MATERIAL	Q'TY	FINISH	REMARK
1	SHELL	BRASS	1	NICKEL	B-MU0014-N
2	INSULATION 1	DELRIN	1	DELRIN	I-0048D
3	BODY	BRASS	1	NICKEL	B-FME0516-N
4	INSULATION 2	DELRIN	1	DELRIN	I-0087D
5	PIN	BRASS	1	GOLD	P-FME0346-G



**HUS-TSAN GROUP CO., LTD.**

P.O. BOX 40-76. TAINAN. TAIWAN, R.O.C.

TITLE FME FEMALE - Mini UHF MALE ADAPTOR

PART NO. FME-20-DGN

DRAWING NO. FME 20 DGN

DRAWN MARY DATE 96.07.07

CHECKED 蘇志欣 DATE

Q.A. 蘇姿潔 DATE

APPROVAL 徐燦霖 DATE

REVISION DATE

DIMENSIONS ARE IN MILLIMETERS

UNLESS OTHERWISE SPECIFIED TOLERANCE

0.5-5=±0.2	120-315=±1
5-30=±0.4	315-1000=±1.6
30-120±0.6	1000-2000=±2.4

SCALE 4:1 SIZE A

REVISION

DESCRIPTION	ENGINEER

D

C

B

A

D

C

B

A

4

3

2

1