

**MATERIAL & FINISH:**

- 1 BODY: BRASS, SEE TABLE
- 2 CENTER CONTACT: BERYLLIUM COPPER ALLOY, GOLD PLATED
- 3 CRIMP FERRULE: COPPER, NICKEL PLATED
- 4 INSULATOR: PTFE

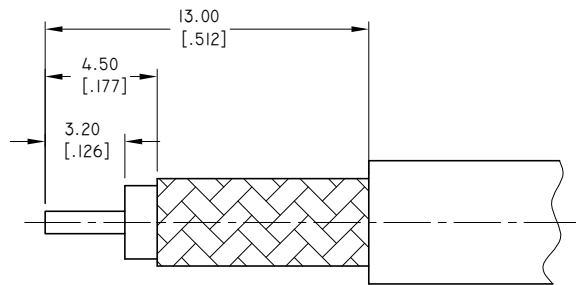
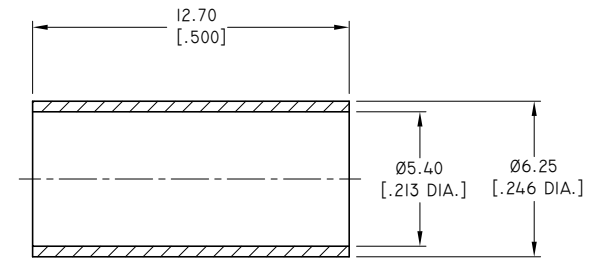
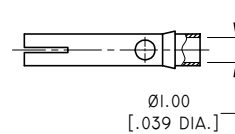
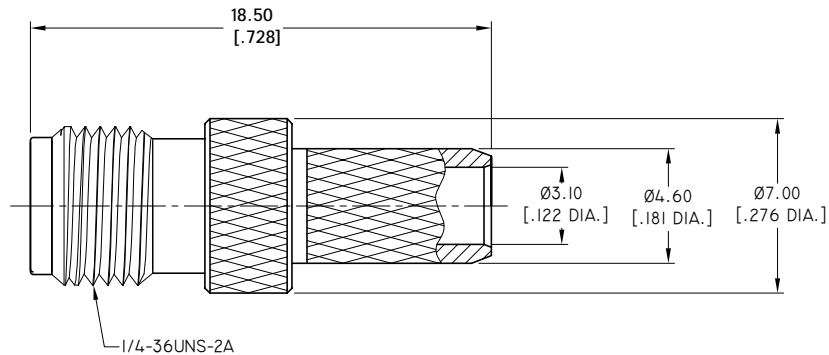
**ELECTRICAL DATA:**

- 1 IMPEDANCE: 50 Ω
- 2 FREQUENCY RANGE: DC~6 GHZ

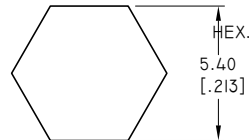
**ENVIRONMENTAL DATA:**

- 1 TEMPERATURE RANGE: -55 °C~+125 °C
- 2 2011/65/EU(RoHS) AND 2015/863/(RoHS): COMPLIANT
- 3 1907/2006/EC(REACH): COMPLIANT

REVISIONS			
REV.	DESCRIPTION	DATE	APPROVED
A	INITIAL RELEASE	05/28/12	J. QU
B	DRAWING FORMAT CHANGED	03/03/20	J. QU



HEX. CRIMP TOOL



CRIMP WIDTH: 10 [.394]

CABLE STRIPPING DIMENSIONS

TABLE

PART NO.	PART	FINISH
ANO 2112-2069	BODY	GOLD
ANO 2112-2069-I		NICKEL

DRAWN	X. B. YANG	DATE	03/03/20
CHECKED	W. YANG	DATE	03/03/20
APPROVED	J. QU	DATE	03/03/20
UNLESS OTHERWISE SPECIFIED DIMENSIONS ARE IN MILLIMETERS, DIMENSIONS IN [ ] ARE IN INCHES FOR CUSTOMER REFERENCE ONLY UNLESS OTHERWISE SPECIFIED TOLERANCE ARE:		THESE DRAWINGS AND SPECIFICATIONS ARE THE PROPERTY OF ANOISON ELECTRONICS LTD AND SHOULD NOT BE USED WITHOUT WRITTEN PERMISSION COPYRIGHT © 2020 ANOISON ELECTRONICS LTD	
.XX	±0.13 [.005"]		
.X	±0.20 [.008"]		
X	±0.50 [.019"]		
X*	±1°		
X**	±2°		



TITLE  
SMA STRAIGHT FEMALE CRIMP FOR LMRI95/RG58 CABLE

VIEW	PART NO. ANO 2112-2069			
	SIZE A3	SCALE 5:1	SHEET 1/1	REV. B